

FIRST

45 f5

BENETEAU[®]

SUMMARY FIRST 45f5

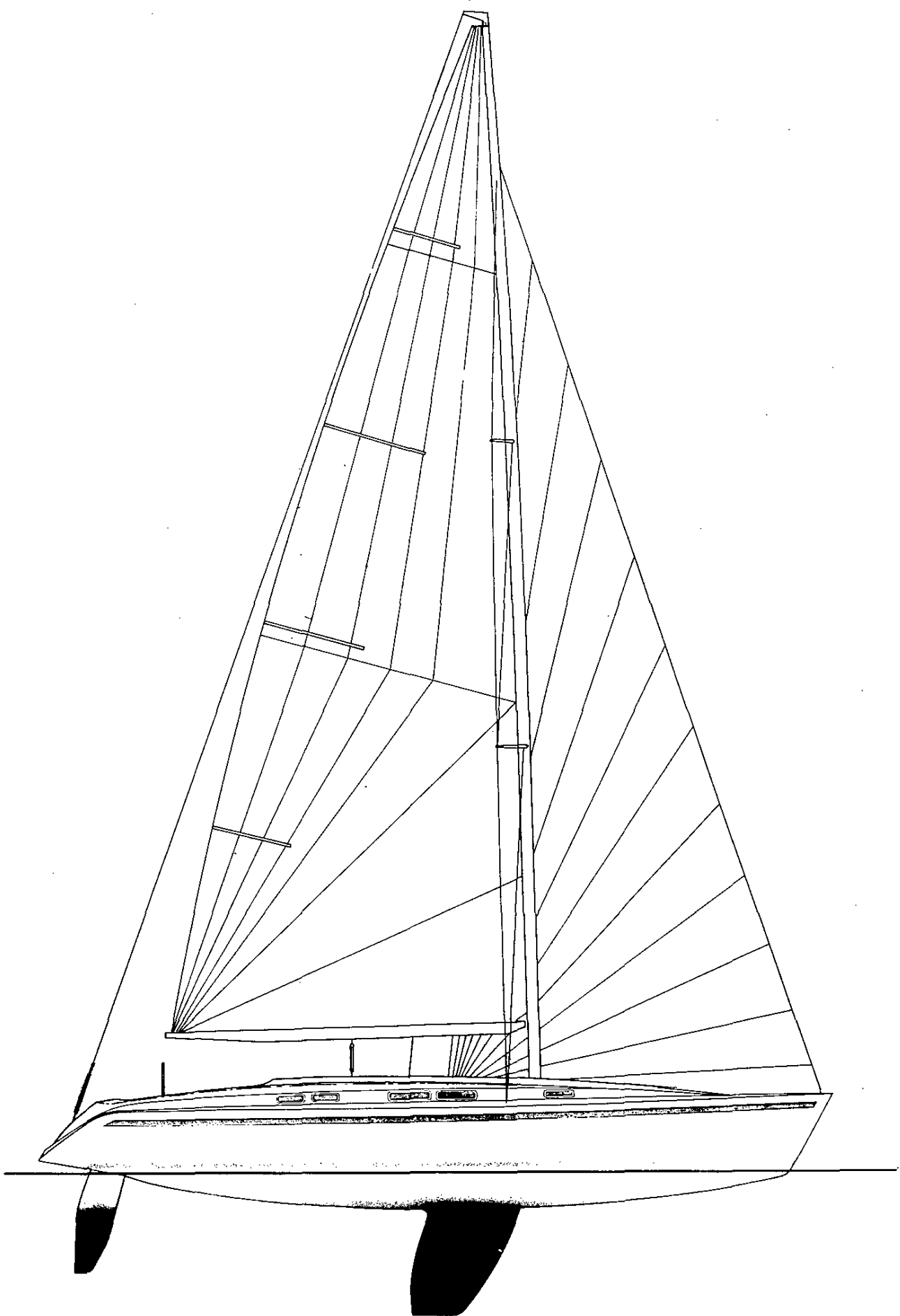
- 1 — Identity card of your 45 f 5
- 2 — Standard 7/8 rigging and furler
- 3 — Mast and rigging adjustments
- 6 — Setting of spreader end fitting
- 7 — Rod rigging assembly
- 8 — Mast adjustment
- 9 — Description of a Profurl double groovestay assembly
- 10 — Roller furler assembly
- 12 — Furling rope way
- 13 — Comparison rod rigging/wire
- 14 — Sails measurements
- 15 — Deck hardware following versions
- 21 — Deck layout
- 25 — Water - ice box and fuel capacity
- 26 — Accomodations following versions
- 31 — Peculiar points for commisioning
- 36 — Light distribution following versions
- 41 — Electric wiring/versions
- 56 — Draining system
- 57 — Water distribution and draining / versions
- 63 — Water filling system / versions
- 66 — Pressured water distribution / versions
- 69 — Gaz distribution
- 72 — Engine instalation, drawing and listing

Architect : Bruce FARR
Designer : PININFARINA

Main specifications :

Overall length	14,20 m	46'7 "
Water line length (with rudder)	11,90 m	39'
Water line length (without rudder)	11,10 m	36'5"
Maximum Beam	4,25 m	14'
Draught : Lead keel	2,40 m	7'10"
Deep keel	2,15 m	7'
Winged keel	1,80 m	6'
Standard air draught (1)	20,37 m	66'10"
Approximative weight (1)	9 T 500	20943 LBS
Winged keel	3420 kg	7540 LBS
Deep keel	3462 kg	7632 LBS
Lead keel	3445 kg	7595 LBS
Maximum authorized engine power	62,5 kw	85 HP
Requested category	1 st	
Number of authorized persons	8/1st category 8/2nd category 9/3rd category 12/4th category 12/5th category 12/6th category	

(1) This measurement applies for an empty boat leaving factory



Like all high performance boats, the **First 45 f 5** is quite sensitive to sail adjustment.

Always keep in mind that a fractional sailplan means a big mainsail area, and that a proper balance of the boat will mainly depend on the mainsail and main traveller adjustments.

In light air, the boom may be kept in line with the boat. As soon as the wind blows more, you must not hesitate to ease the mainsheet traveller till you get a good balance.

Having the mainsail 1/2 backwinded by the headsail is acceptable. Then you will have to take a first reef.

Finally, you should begin to reduce the sail area by reducing the mainsail so that the genoa can ensure enough power to sail in a choppy sea.

Sail reduction (indicative)

. 0 to 15 knots	Medium genoa	Full mainsail.
. 15 to 20 knots	inter or Medium genoa	Full mainsail or. single reefed mainsail.
. 20 to 25 knots	130 % heavy genoa	Single reefed mainsail.
. 25 to 30 knots	100 % Solent (\neq 3)	Single reefed mainsail.
. 30 to 35 knots	100 % Solent (\neq 3)	Double reefed mainsail.
. 35 to 40 knots	\neq 4 jib or storm jib	Double or triple reefed mainsail.

1 - Rigging characteristics

The rigging of **First 45 f 5** has three main characteristics :

- 1 - Rod rigging.
- 2 - Swept back spreaders.
- 3 - Fractional rig without running backstays.

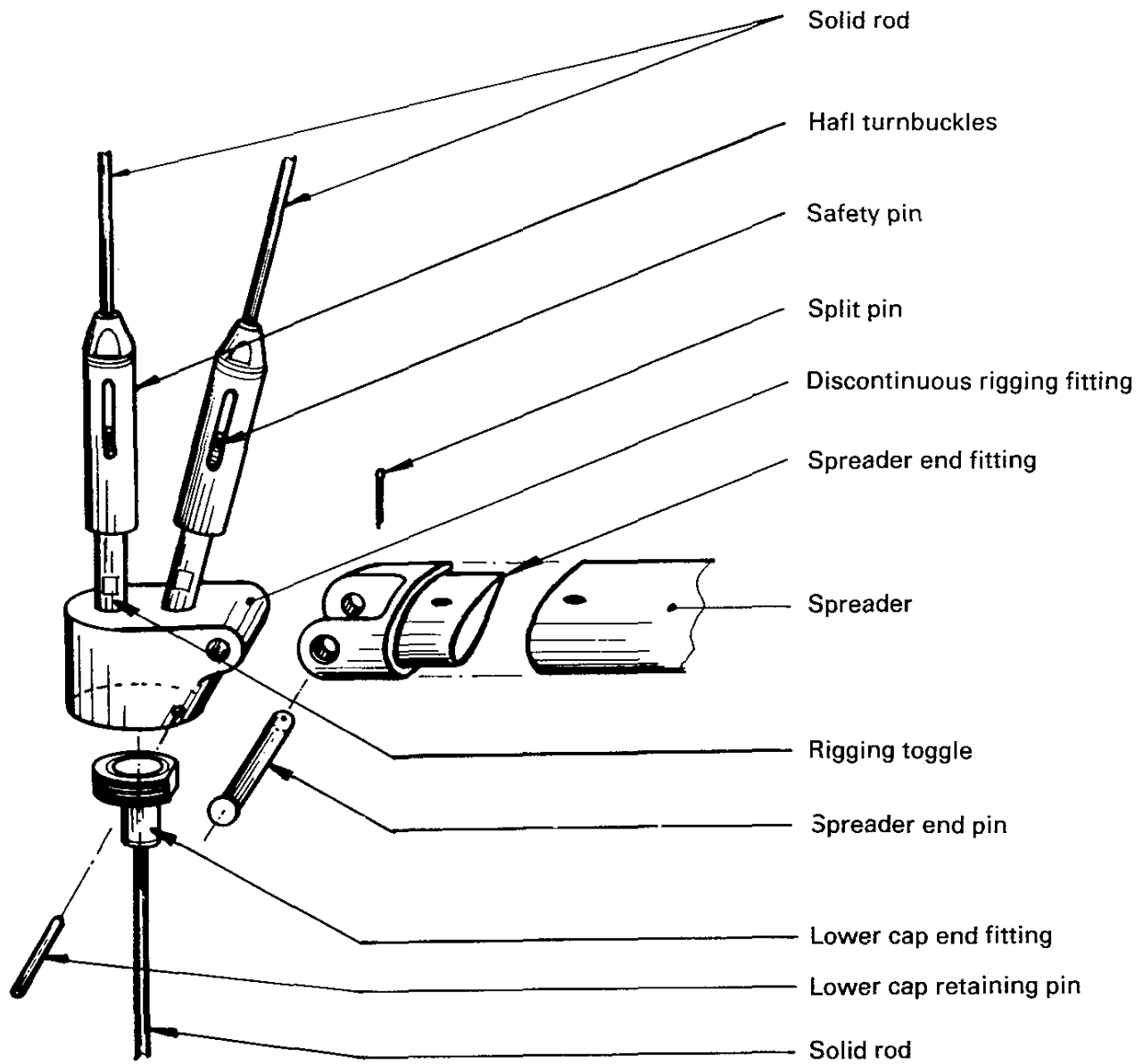
The very low stretch of rod contributes to a good holding of the mast. Due to the swept back spreaders, the capshrouds (upper shrouds) should be tensioned properly, so as to maintain a good forestay tension. The lower shrouds control the lower bend of the mast, and the backstay allows to control the upper bend.

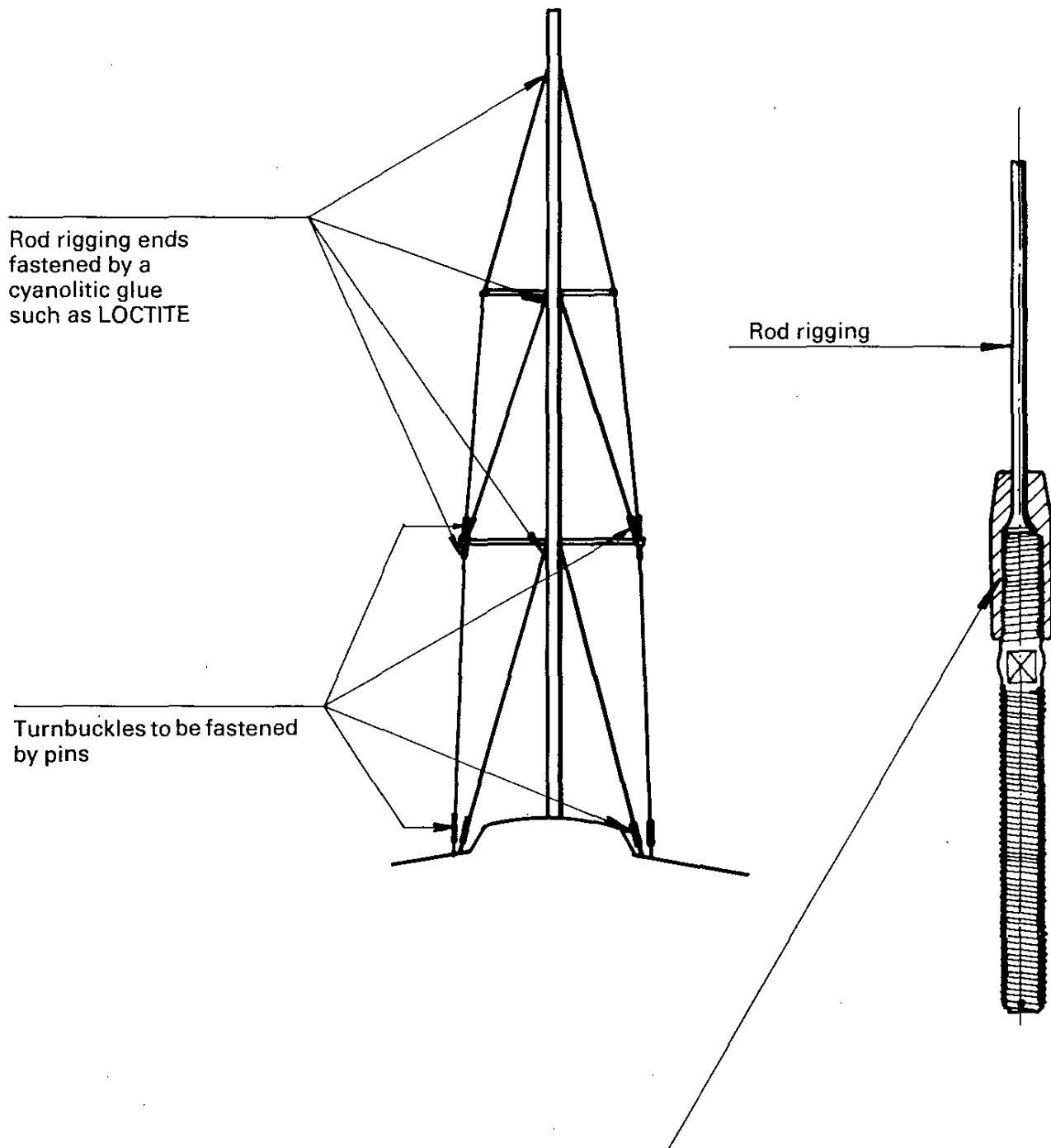
The mast should be adjusted with a slight pre-bend.

2 - Adjustment

Important : Before you begin to mast the boat, be sure that the pin hole can be seen through the hole of the turnbuckle frame so that you are sure there is a maximum of 2 turns of thread on.

- The forestay turnbuckle should be half screwed.
- The turnbuckles for intermediate shrouds should be thoroughly unscrewed. With a fractional rig the cap shrouds must not be tensioned if the intermediates are tight.
- The mast is held laterally by the lower shrouds which should not be overtensioned.
- Then tension capshrouds in order to tighten properly the forestay. The mast must bend forward to 20 or 25 cm (10").
- The tightening of the lower shrouds reduces the prebend to -*(cm.
- Adjust the intermediates at a minimum tension.
- These adjustments done, prebend the mast using the main halyard and then connect the backstay.
- The backstay eased at its maximum must be kept on tension to prevent the mast from bending forward.
- We advise you to fit an adjusting system like a turnbuckle on the backstay in order to eliminate the tricky operation with the main halyard and the elongation of the backstay.
- After few cruises under heavy wind, check the adjustment and eventually tighten again the rigging to correct the elongation of the rods.
- Pin the turnbuckles.



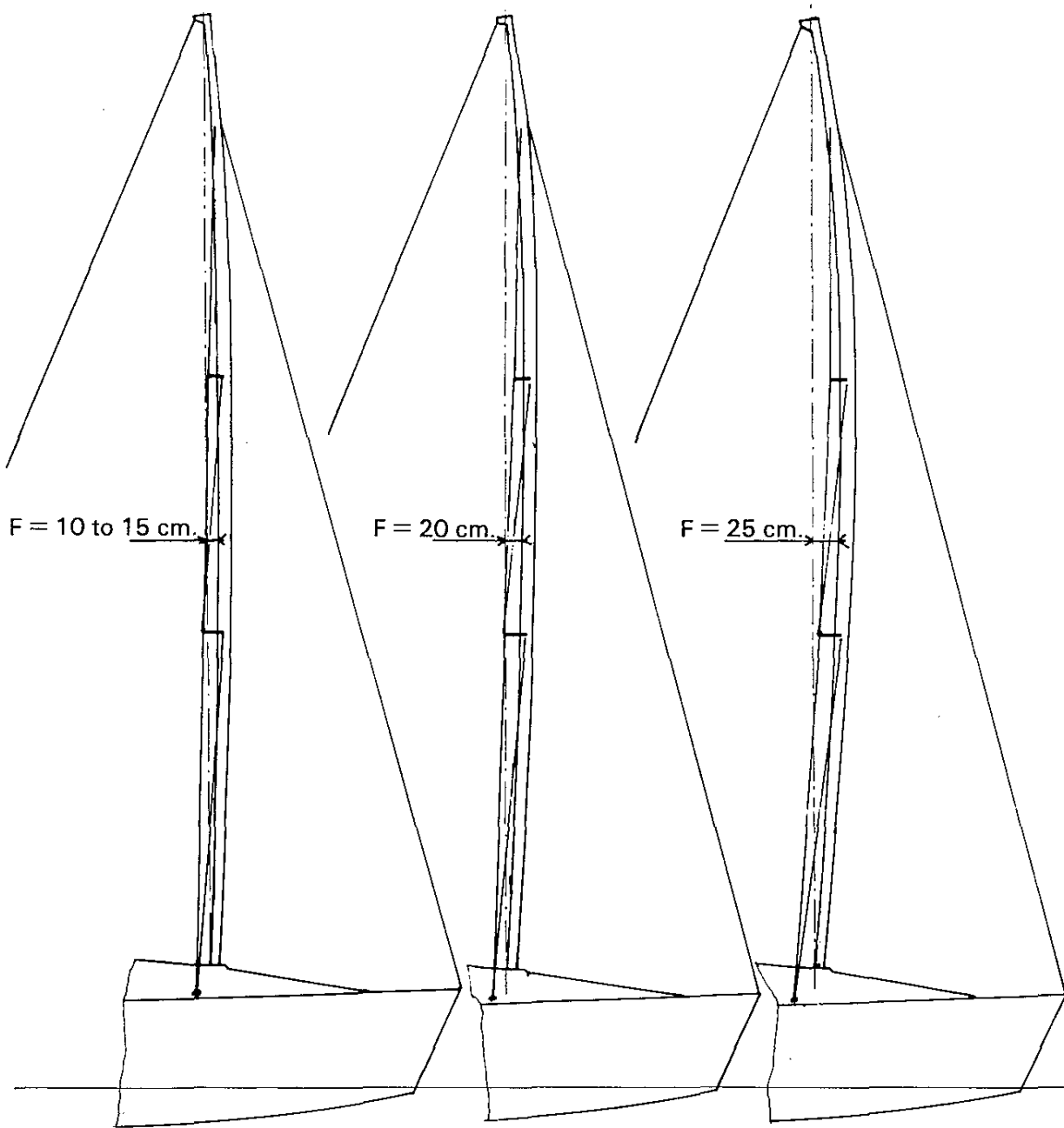


Rod rigging ends fastened by a cyanolitic glue such as LOCTITE

Rod rigging

Turnbuckles to be fastened by pins

The threading must absolutely be fastened by a cyanolitic glue such as LOCTITE, supplied with the rigging.



Standing position

Medium

Breeze

PRESENTATION

- A standard forestay package composed of :
 - . A profurl headfoil set
 - . A genoa furling tube set

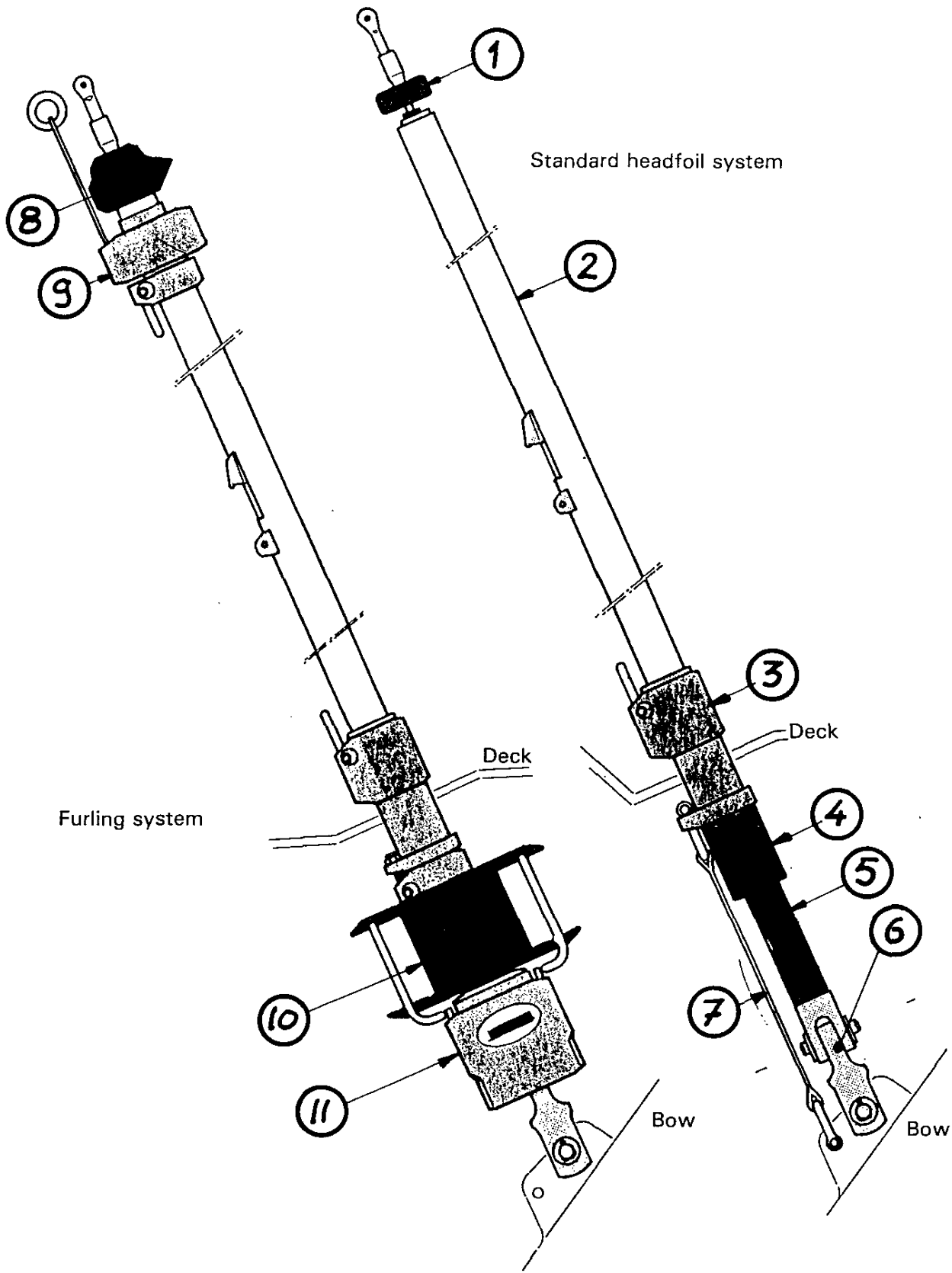
- An optional furling system package composed of :
 - . A furling drum
 - . One SE 3 block
 - . One thru-deck block
 - . 2 rings
 - . One double stopper
 - . One furling rope

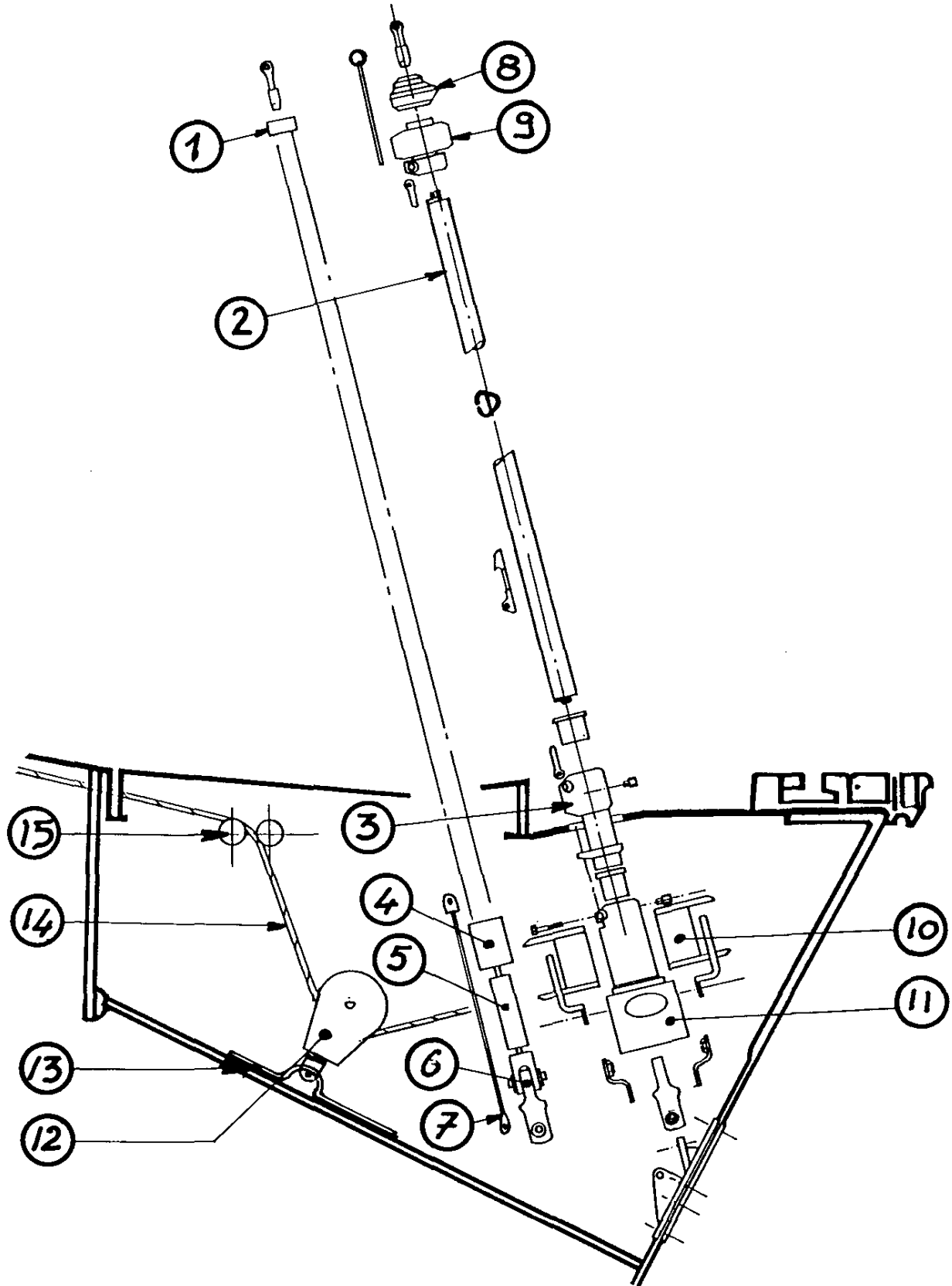
HEADFOIL ON ROD FORSTAY

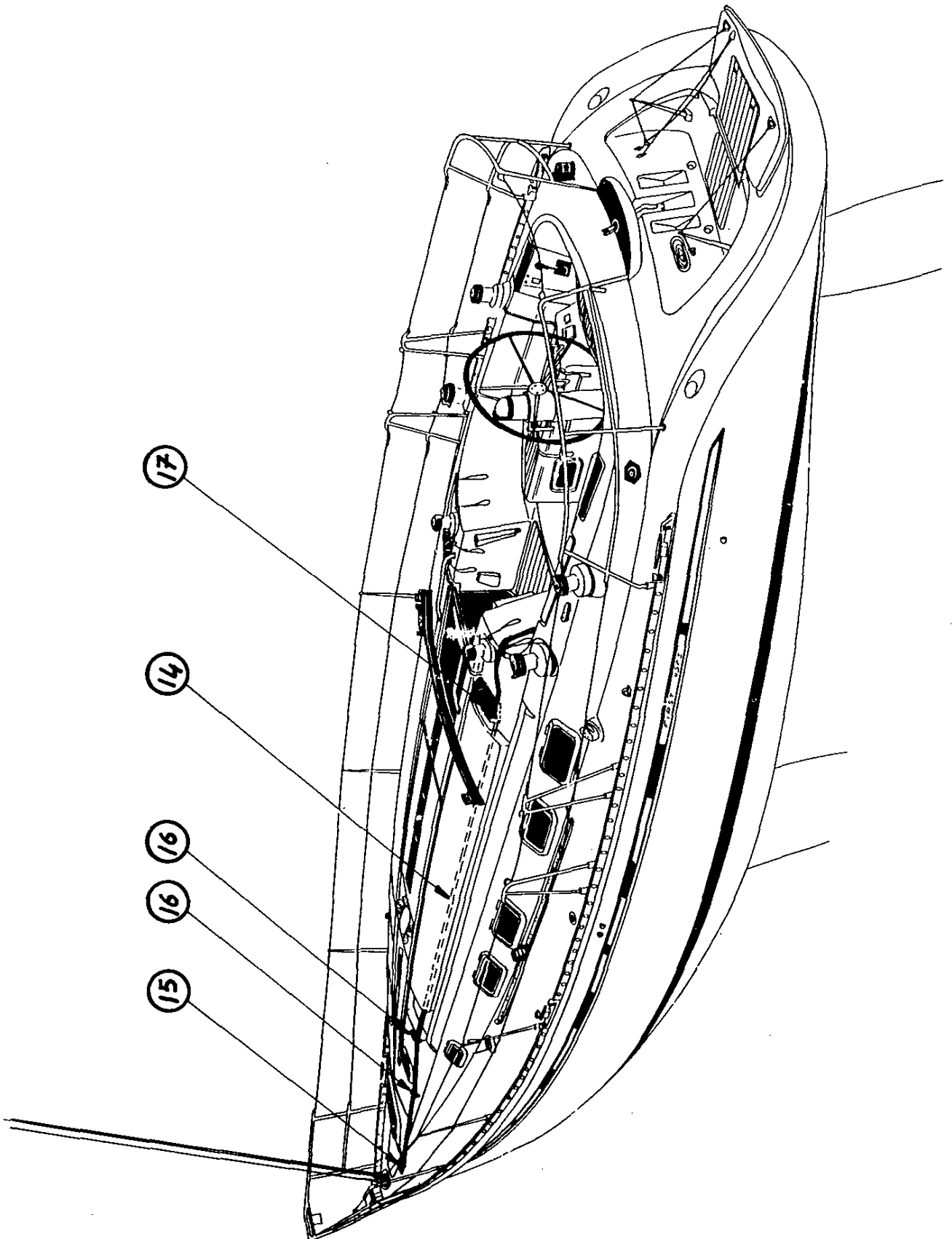
- . Set the upper terminal
- . Pile the furling tubes with the connections bearings.
- . Set the headfoil base (mark 3), then the plastic mantle (mak 4) along with the nylon spacer (mark 5).
- . Fit the rod toggle (mark 6)
- . After the mast is step : **VERY IMPORTANT** : fit the stainless steel cable (mark 7) in order to avoid the compression of the furling tubes and of the lower terminal.

BELOW DECK FURLER

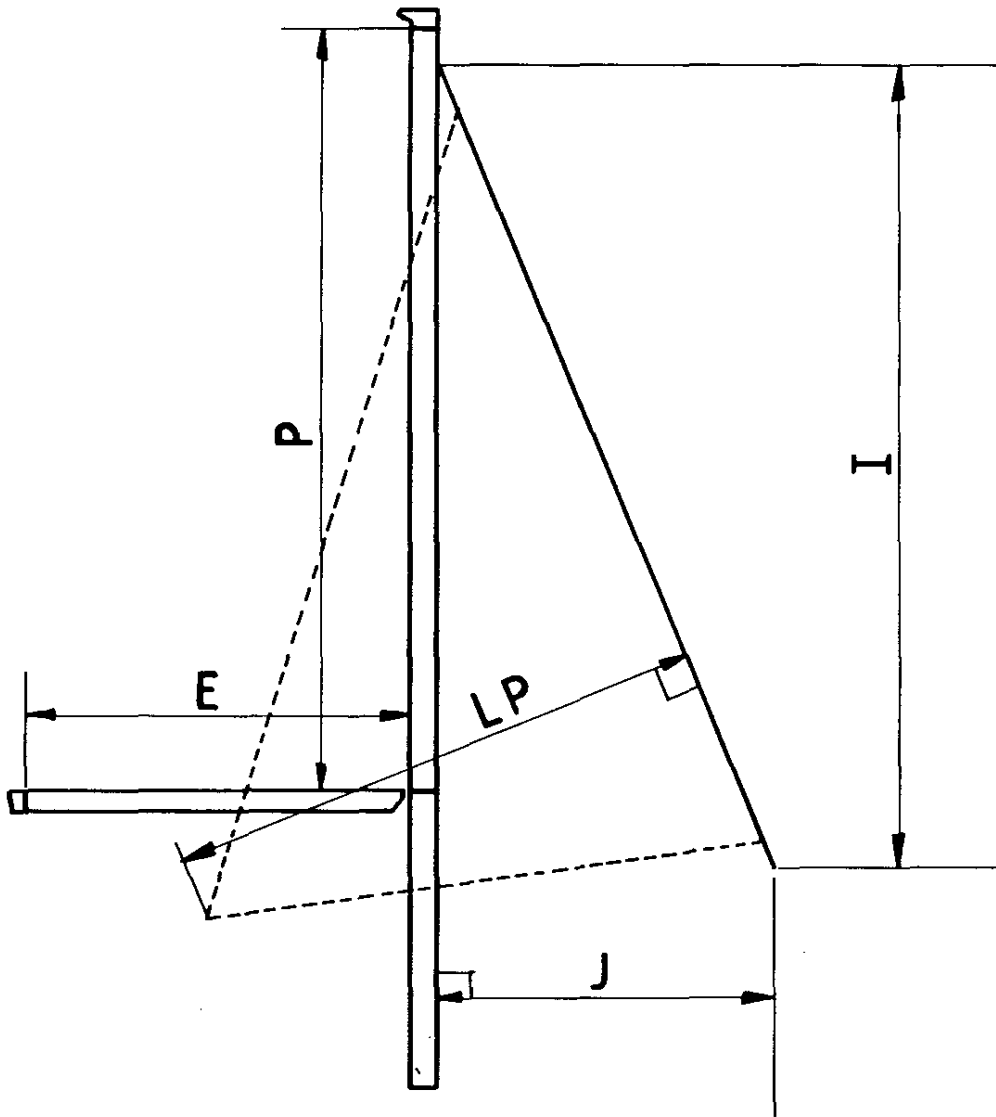
- . Set the mutlitop on place of the bearing (mark 1)
- . Take off the cable (mark 7), the spacer (mark 5) and the mantle (mark 4) and fit the furling set.
- . Fit the upper swivel (mark 9)
- . Set the furling drum (mark 10) and the turret (mark 11)
- . Set the SE 3 block (mark 12) on the mooring pit ring (mark 13)
- . Set the furling line into the drum (mark 10). Fasten the end of the rope with a figure eight and wind few times round the drum.
- . The end of the line must go through the SE 3 block, through the thru-deck block, thru the stainless steel rings then underneath the halyard cover and at last in the double stopper. (17)







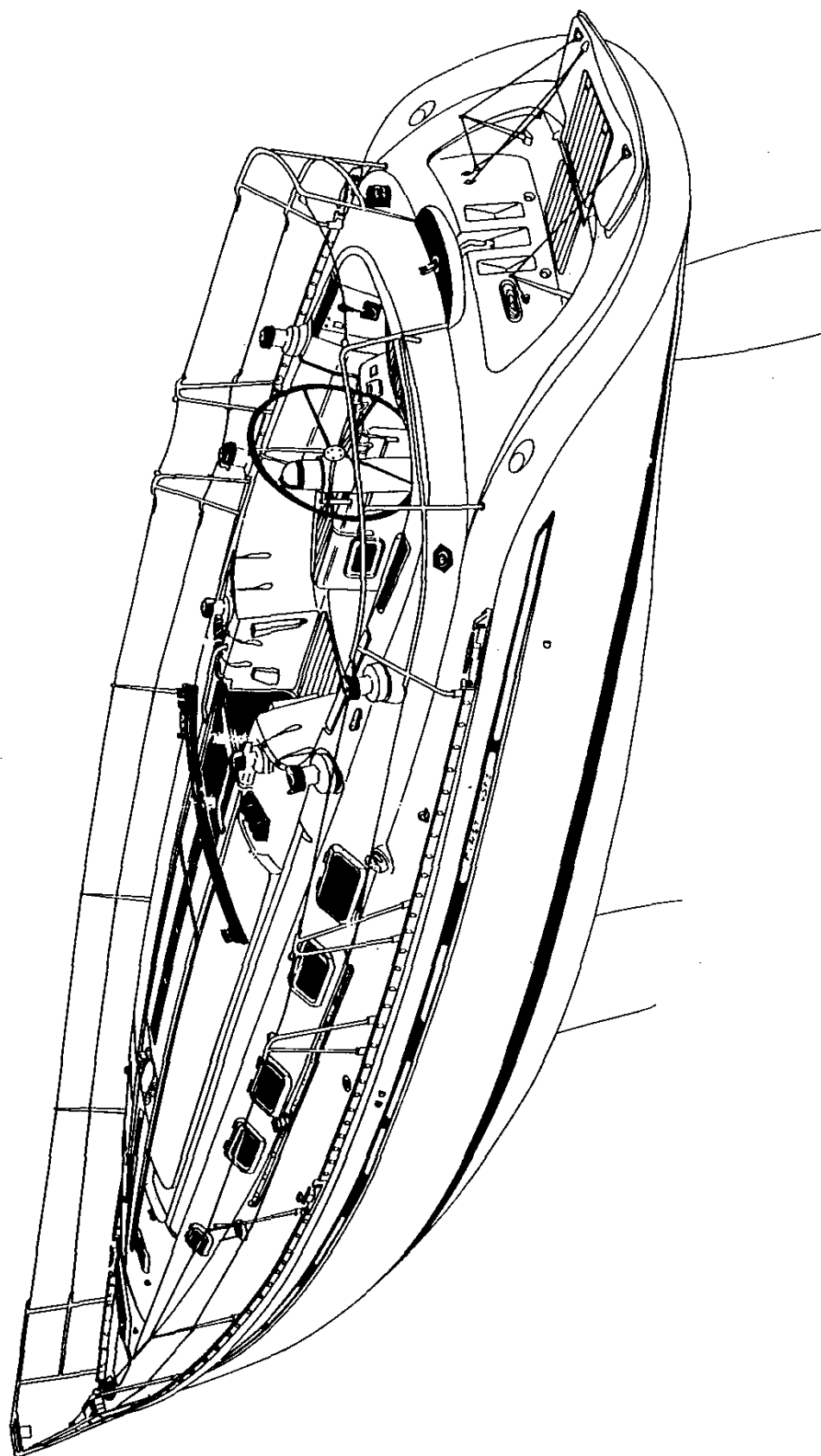
	ROD RIGGING		WIRE	
	Diameter (mm)	Strength	Diameter	Strength
Cap Shrouds	8	6 200 KG	10	5 490 KG
Intermediate shrouds	7	4 750 KG	8	3 530 KG
Lower Shrouds	10	9 700 KG	12	7 460 KG
Shrouds	10	9 700 KG	12	7 460 KG
Headstay	10	9 700 KG	12	7 460 KG



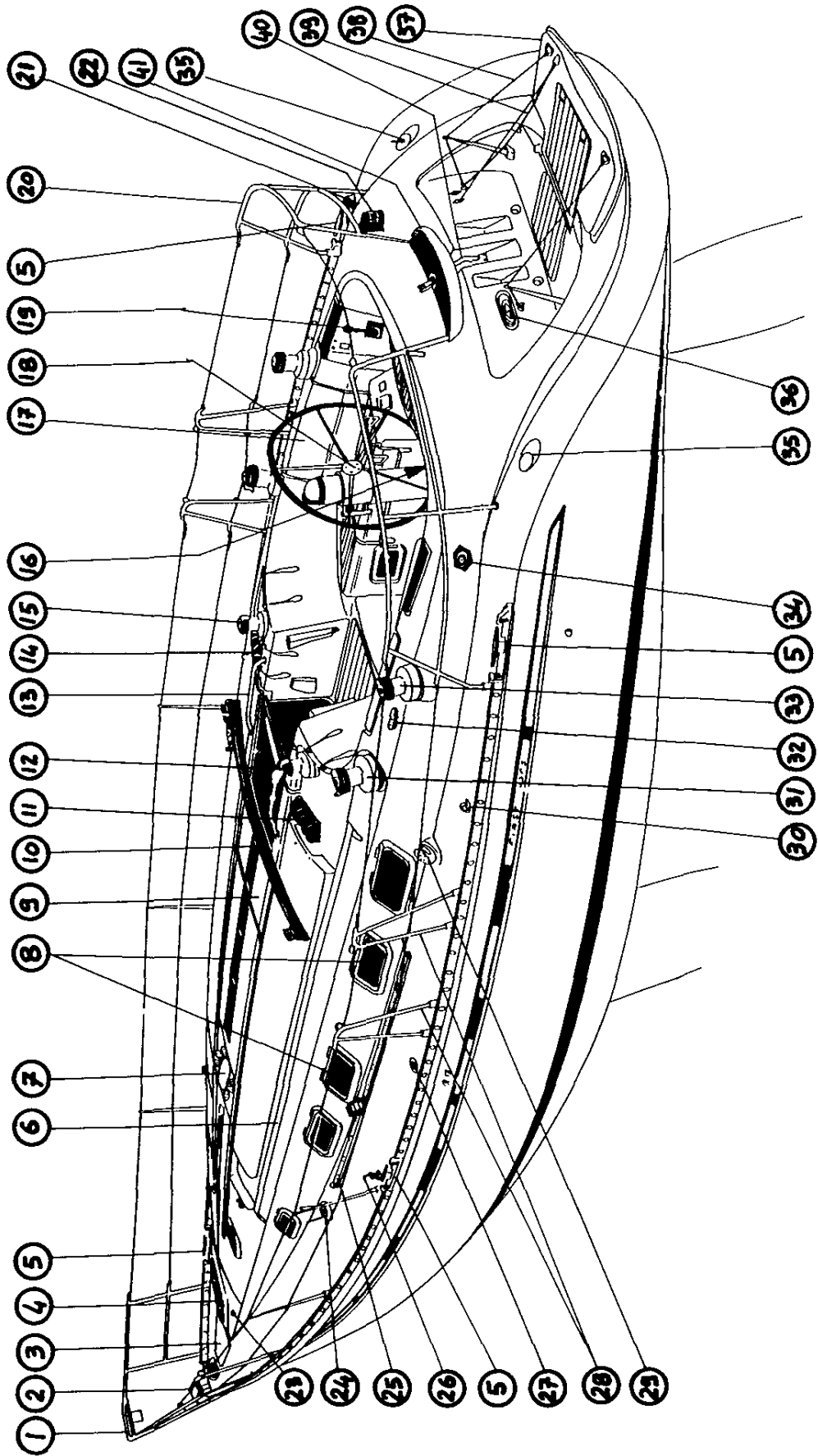
7/8 RIGGING	
I	16,20 m
J	4,60 m
JC	5,06 m
P	16,90 m
E	5,70 m
SL	16,00 m
SMW	9,11 m

SAILS	AREA
Main Sail	52,26 m ²
Genoa	51,20 m ²
SPI POLE LENGHT	5,06 m ²
SPI MAXI	132,00 m ²

TRANSOM + GANGWAY VERSION



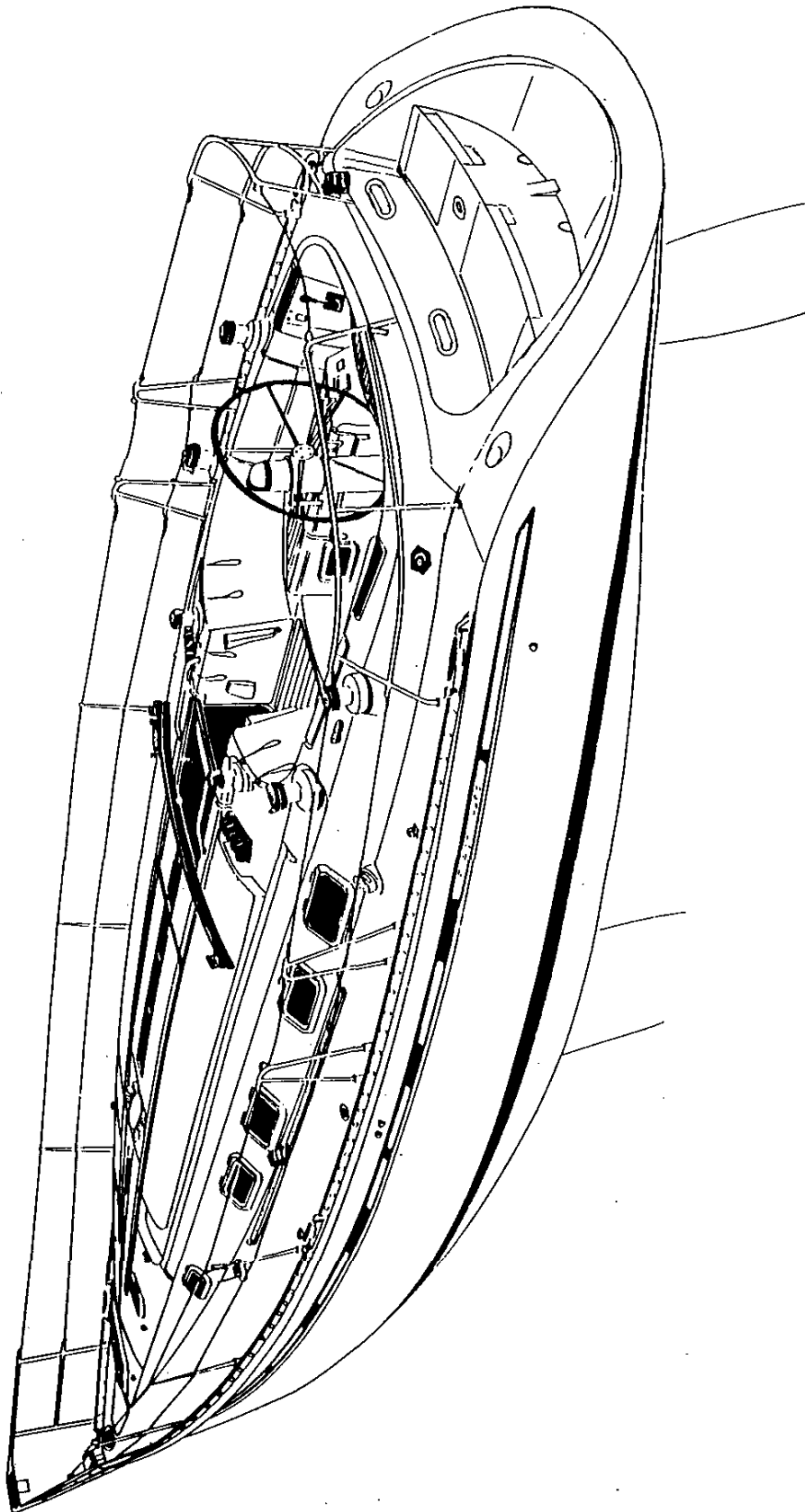
TRANSOM + GANGWAY VERSION



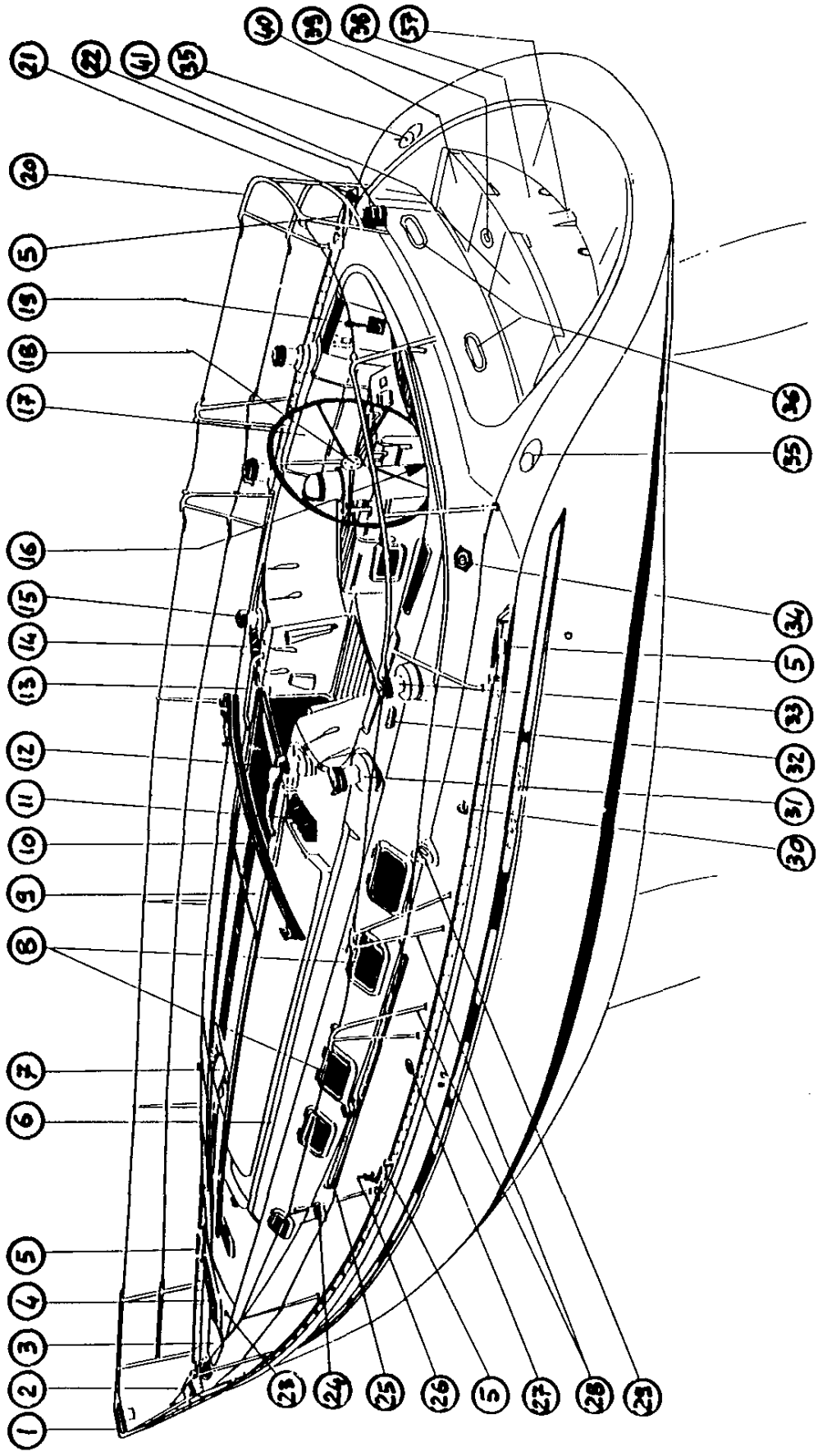
TRANSOM + GANGWAY VERSION

- 1 – Bowrail + bow light
- 2 – Semhead fitting
- 3 – Mooring locker
- 4 – Sail locker opening hatch
- 5 – Mooring fairlead + cleat
- 6 – Port and stbd handrail
- 7 – Partner fitting + blocks
- 8 – Lateral opening portlight
- 9 – Slider cover
- 10 – Main track + coupling cars + track terminal with sheaves and cam cleats.
- 11 – Port sheet stoppers
- 12 – Roof port winch
- 13 – Companion way port and stbd s/s handrail
- 14 – Stbd sheet stoppers
- 15 – Roof stbd winch
- 16 – Gas locker
- 17 – Life raft locker
- 18 – Pedestal steering-gear
- 19 – Engine control lever on stbd-engine instrument panel on port side
- 20 – Stern rail - transom + gang way version
- 21 – Fuel deck filler
- 22 – Stern light on stern rail
- 23 – Articulated toggle for spipole downhaul on port side and stbd
- 24 – Shroud chainplates
- 25 – Genoa track + slider + adjuster
- 26 – Articulated toggle for spinnaker guy on port side and stbd
- 27 – Port and stbd water deck fillers
- 28 – Port an stbd stanchions for life line gate
- 29 – Return genoa block
- 30 – Articulated toggle for spinnaker sheets on port side and stbd
- 31 – Genoa sheet winch
- 32 – Genoa sheet cleat
- 33 – Spinnaker sheet and guy winch
- 34 – Manual bilge pump (lever in the aft stbd locker)
- 35 – Engine vent
- 36 – Tidy
- 37 – Aft gangway
- 38 – Hanging line
- 39 – Lifting rope for gangway reable from the aft stbd locker
- 40 – Backstay chainplate - transom + gangway version
- 41 – Transom step

TRANSOM + LOCKERS VERSION



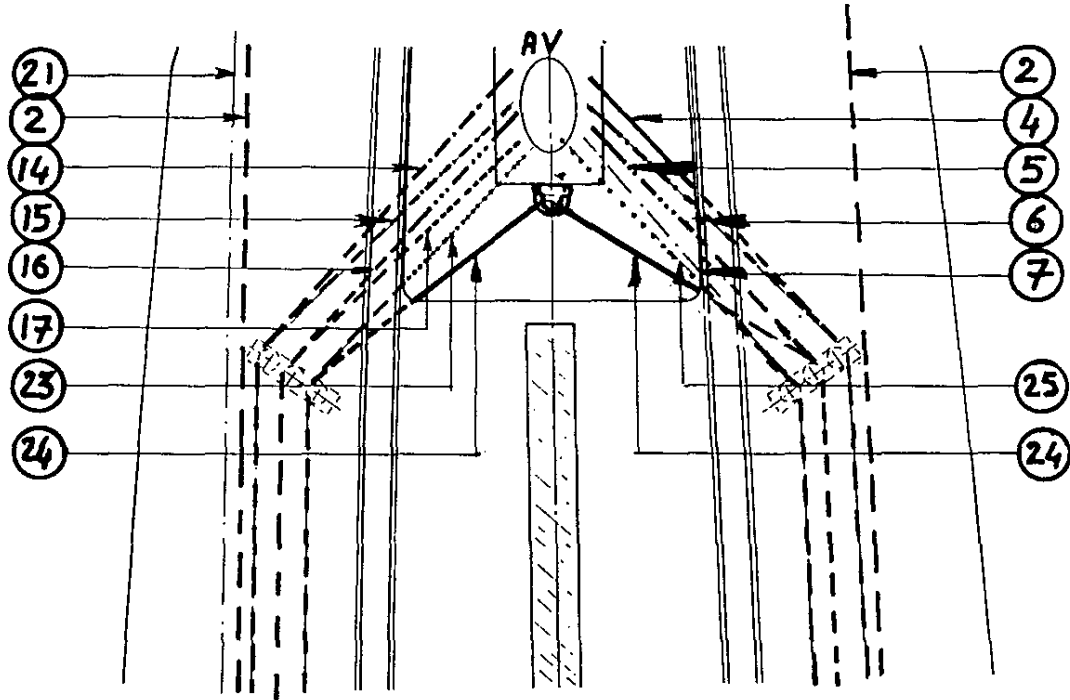
TRANSOM + LOCKERS VERSION



TRANSOM + LOCKERS VERSION

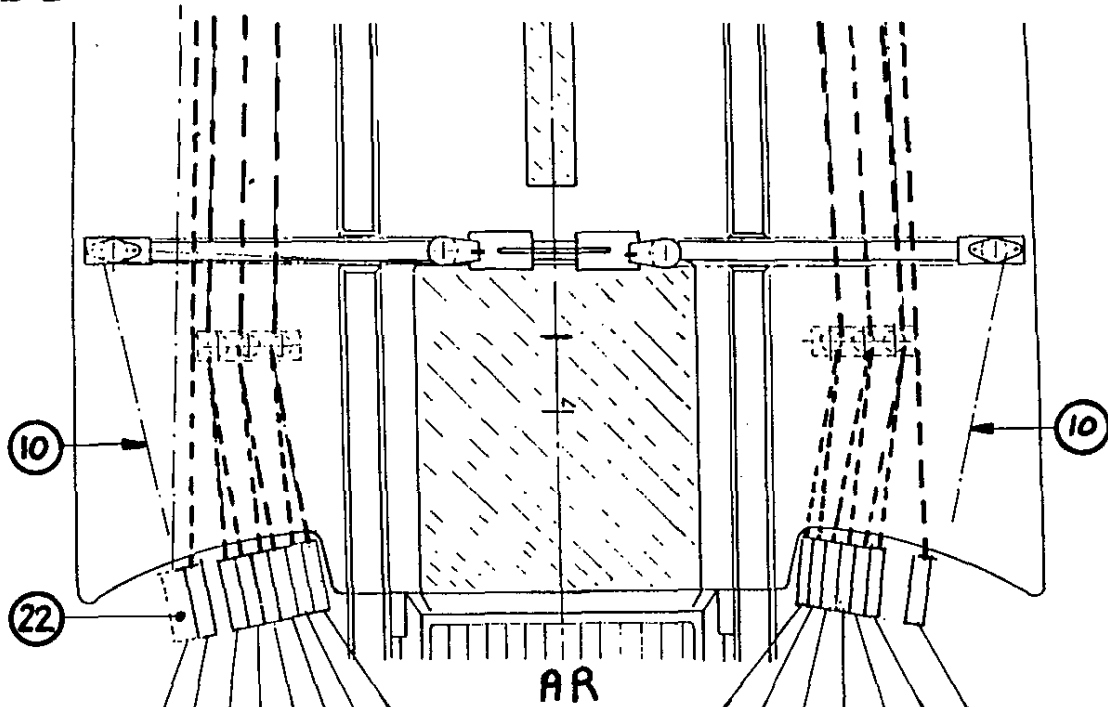
- 1 – Bowrail + bow light
- 2 – Semhead fitting
- 3 – Mooring locker
- 4 – Sail locker opening hatch
- 5 – Mooring fairlead + cleat
- 6 – Port and stbd handrail
- 7 – Partner fitting + blocks
- 8 – Lateral opening portlight
- 9 – Slider cover
- 10 – Main track + coupling cars + track terminal with sheaves and cam cleats.
- 11 – Port sheet stoppers
- 12 – Roof port winch
- 13 – Companion way port and stbd s/s handrail
- 14 – Stbd sheet stoppers
- 15 – Roof stbd winch
- 16 – Gas locker
- 17 – Life raft locker
- 18 – Pedestal steering-gear
- 19 – Engine control lever on stbd-engine instrument panel on port side
- 20 – Stern rail - transom + lockers version
- 21 – Fuel deck filler
- 22 – Stern light on stern rail
- 23 – Articulated toggle for spipole downhaul on port side and stbd
- 24 – Shroud chainplates
- 25 – Genoa track + slider + adjuster
- 26 – Articulated toggle for spinnaker guy on port side and stbd
- 27 – Port and stbd water deck fillers
- 28 – Port an stbd stanchions for life line gate
- 29 – Return genoa block
- 30 – Articulated toggle for spinnaker sheets on port side and stbd
- 31 – Genoa sheet winch
- 32 – Genoa sheet cleat
- 33 – Spinnaker sheet and guy winch
- 34 – Manual bilge pump (lever in the aft stbd locker)
- 35 – Engine vent
- 36 – Tidy
- 37 – Backstay chainplate - transom + lockers version
- 38 – Locker front
- 39 – Backstay way out s/s ring
- 40 – Stbd locker hatch
- 41 – Port locker hatch

1 – Spipole downhaul block	Option
2 – Spipole downhaul	Option
3 – Partner fitting with blocks	Standard
4 – Spinnaker halyard n° 2	Option
5 – Genoa halyard n° 2	Option
6 – Mainsail halyard	Standard
7 – Reef points n° 2	Standard
8 – Spinnaker guy	Option
9 – Spinnaker guy block	Option
10 – Main sail car adjuster	Standard
11 – Genoa car adjuster	Standard
12 – Spinnaker sheet	Option
13 – Spi sheet return block	Option
14 – Spinnaker halyard n° 1	Option
15 – Genoa halyard n° 1	Standard
16 – Spipole topping lift	Option
17 – Reef points 1 and 3	Standard
18 – Genoa sheet car	Standard
19 – Genoa sheet	Standard
20 – Genoa return block	Standard
21 – Furler line	Option
22 – Furler line blocker	Option
23 – Mainsail foot	Standard
24 – Mainsail sheet	Standard
25 – Boom vang	Standard
26 – Spinnaker pole	Option



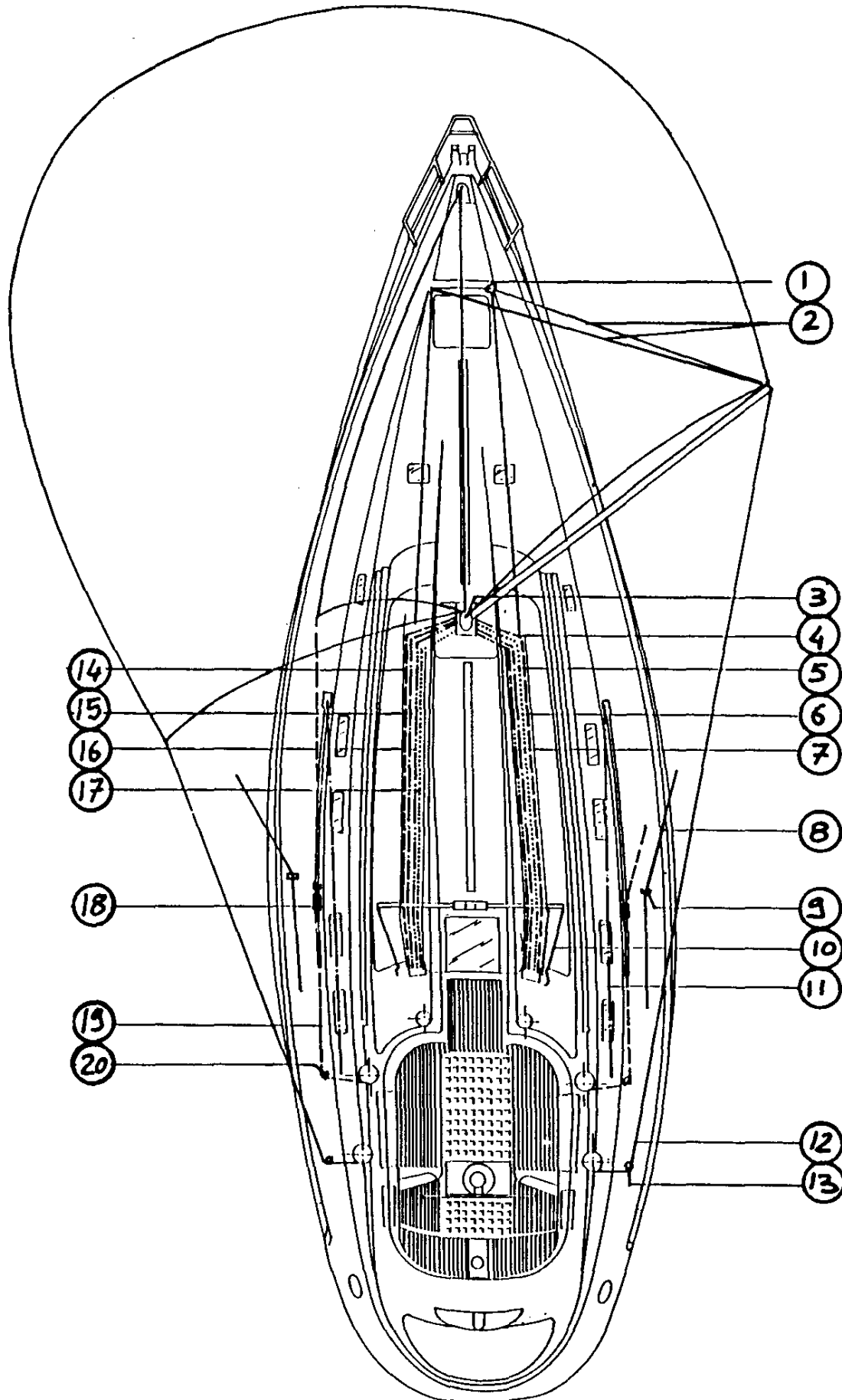
BD

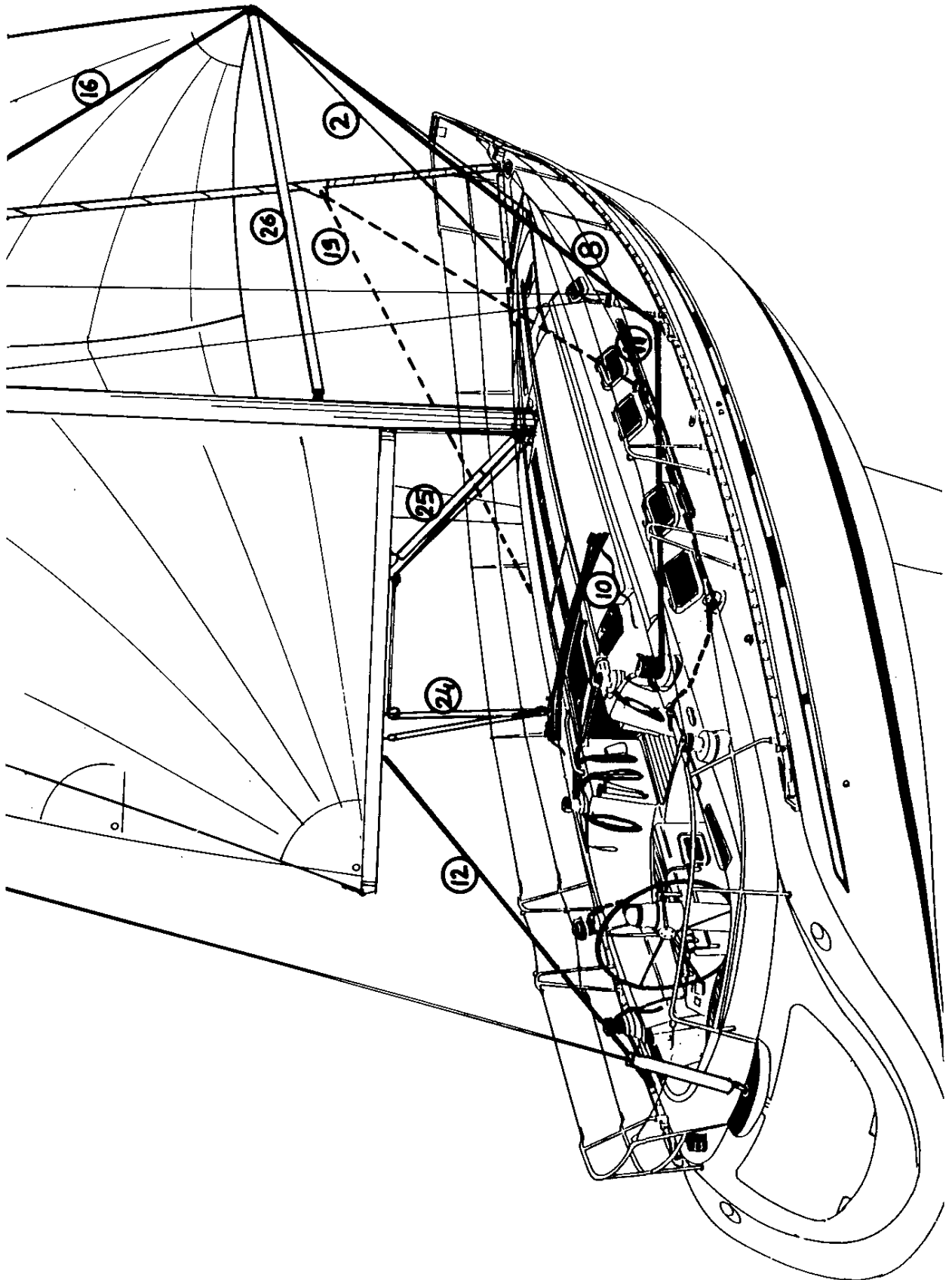
TD



- 21 Furling line
- 2 Spipole downhaul
- 14 Spi halyard n° 1
- 15 Genoa halyard n° 1
- 16 Spipole topping lift
- 17 Reef point 1-3
- 23 Boom vang
- 24 Mainsail sheet

- 25 Mainsail sheet
- 7 Mainsail foot
- 5 Reef point 2
- 24 Mainsail halyard
- 6 Genoa halyard n° 2
- 4 Spi halyard n° 2
- 2 Spipole downhaul





MAIN SPECIFICATIONS- Water capacity :

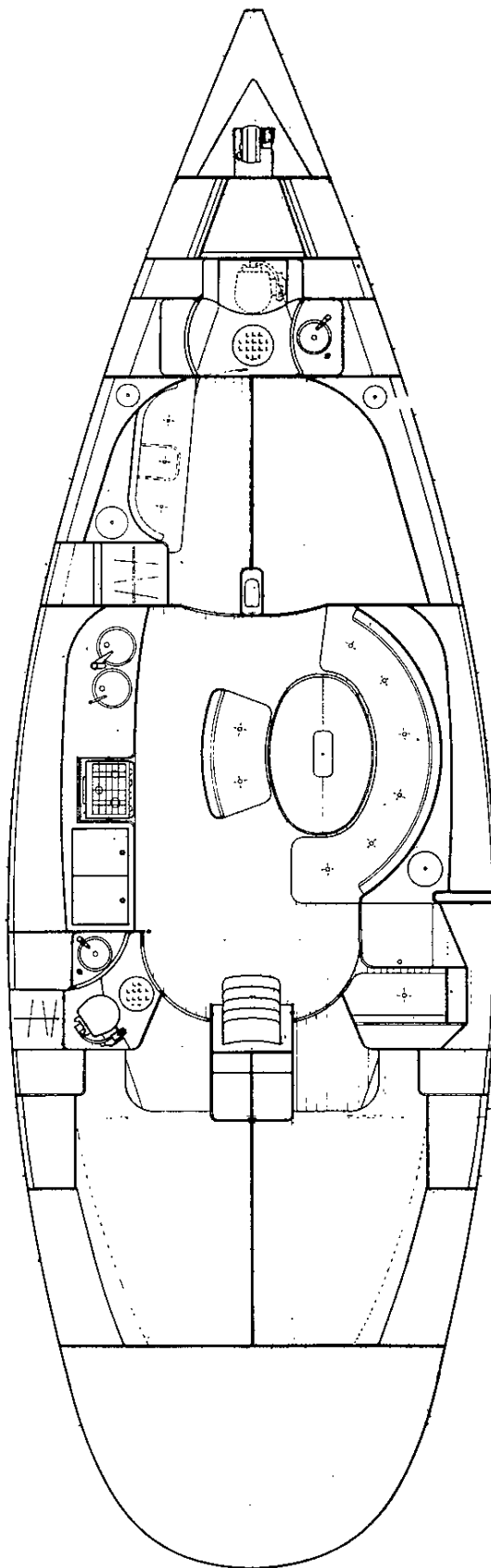
. Fwd tank (depends on version)	100 L
. Fwd port saloon tank	140 L
. Fwd stbd saloon tank	140 L
. Port saloon tank	115 L
. Stbd saloon tank	115 L
. Water heater	45 L

- Ice box capacity :

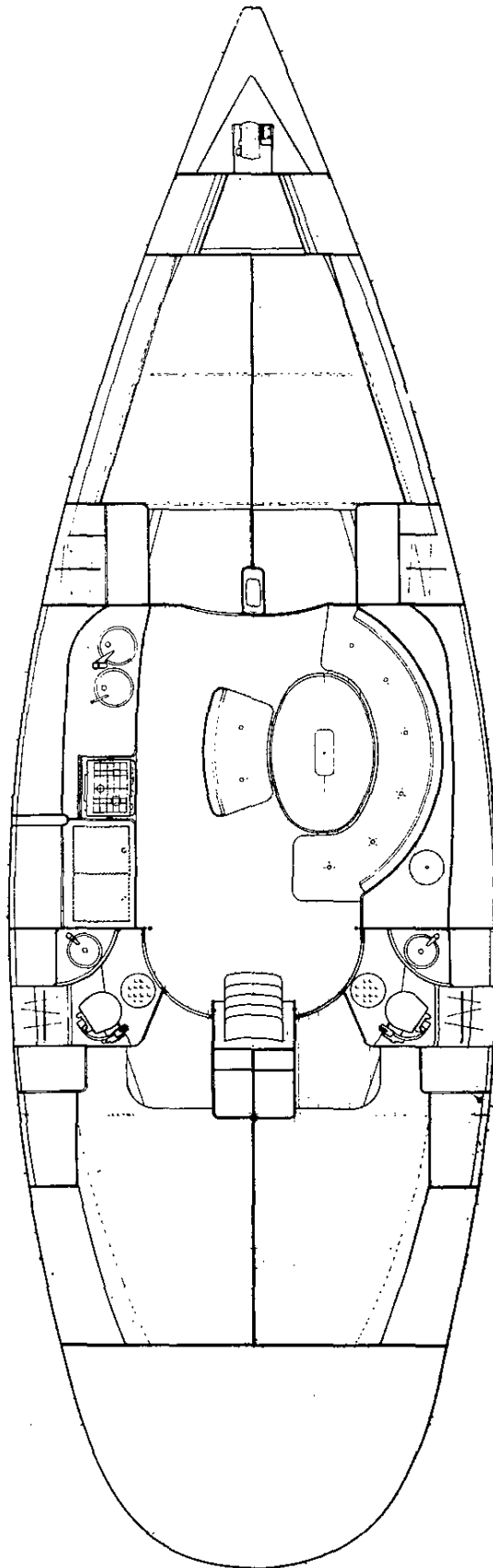
. Lateral galley version	225 L
. Aft galley version	200 L

- Engine :

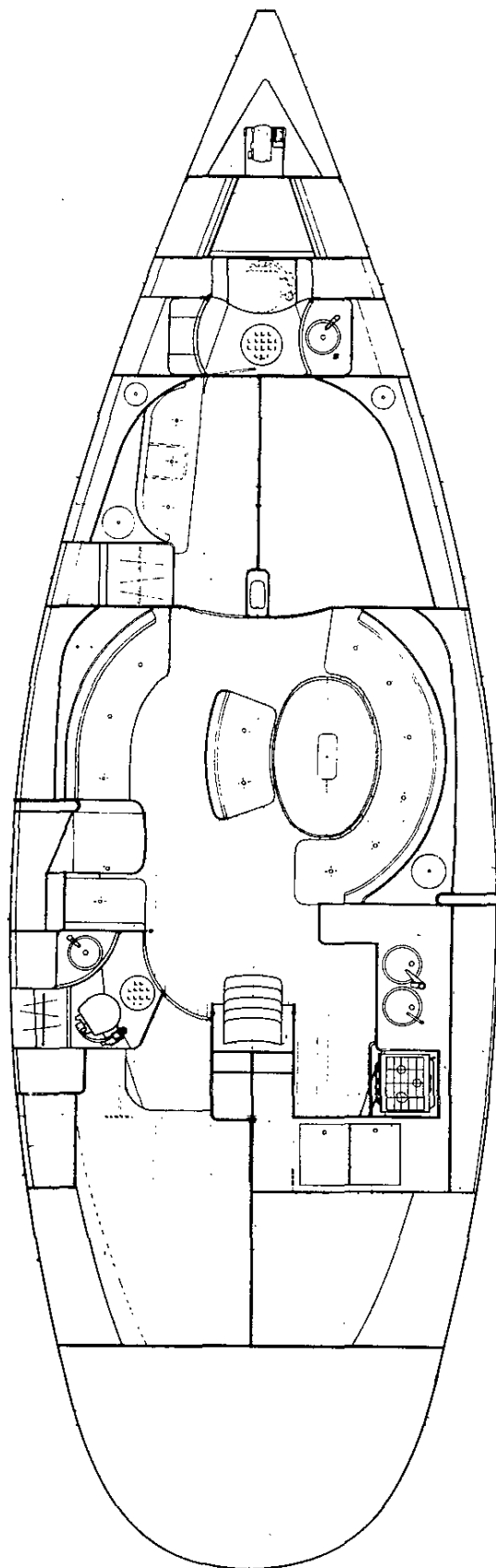
. Fuel capacity	155 L
-----------------	-------



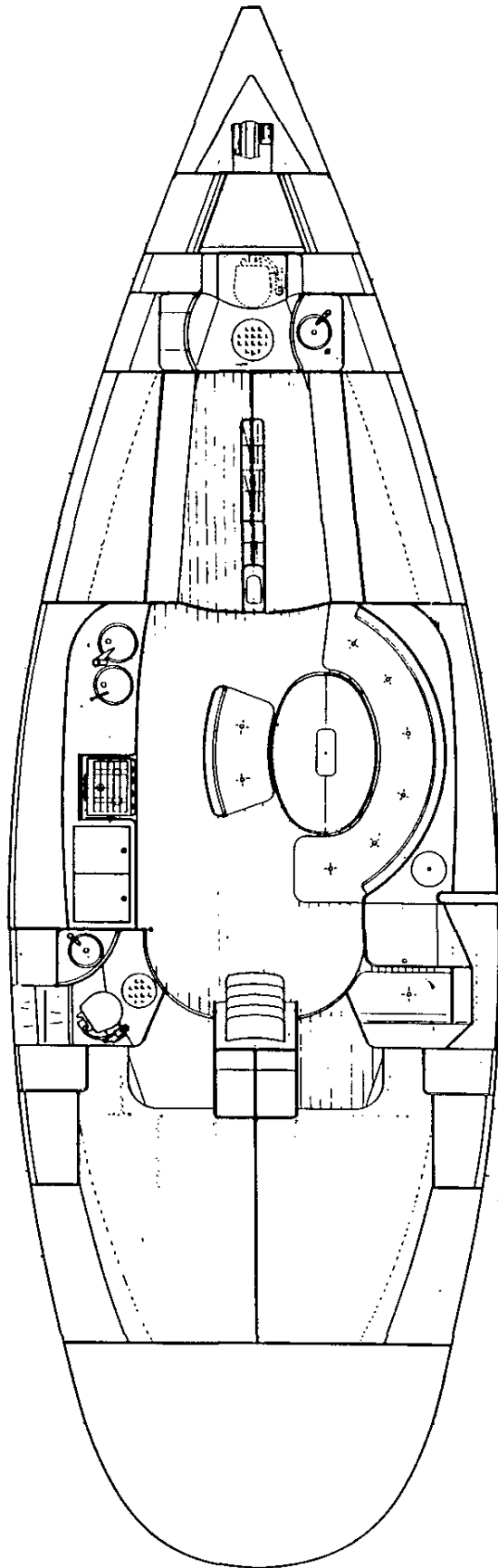
Fwd owner cabin
Aft charter cabin 1 bathroom



Fwd charter cabin
aft charter cabin 2 bathrooms

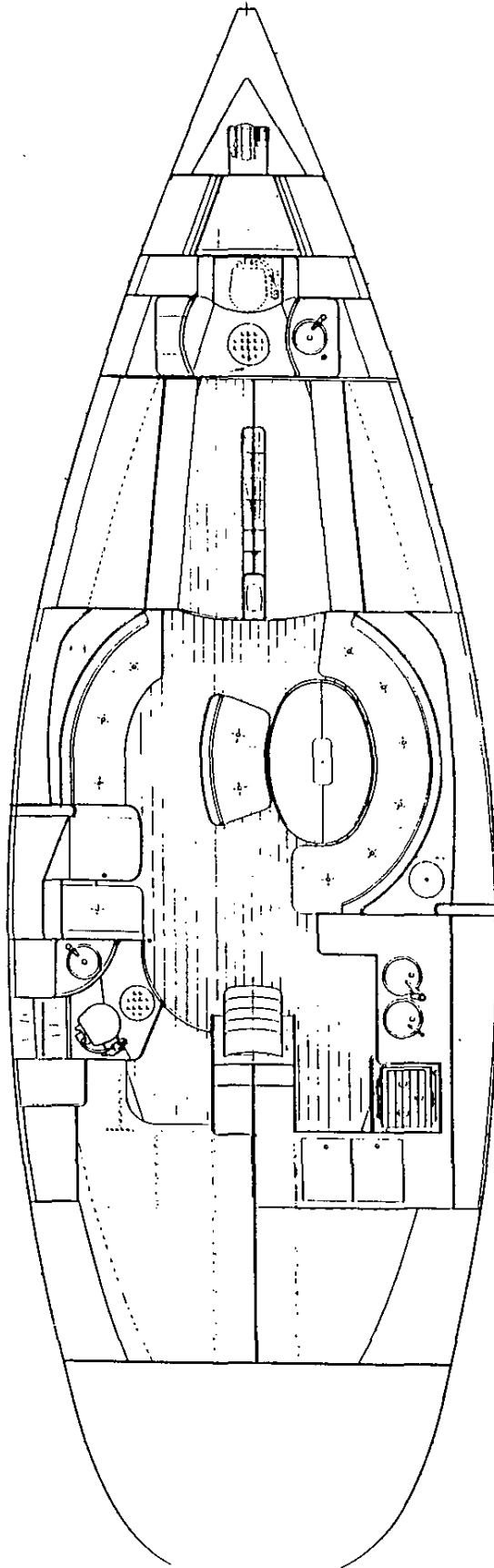


Fwd Owner cabin
Aft owner cabin



Fwd charter cabin 1 bathroom
Aft charter cabin 1 bathroom

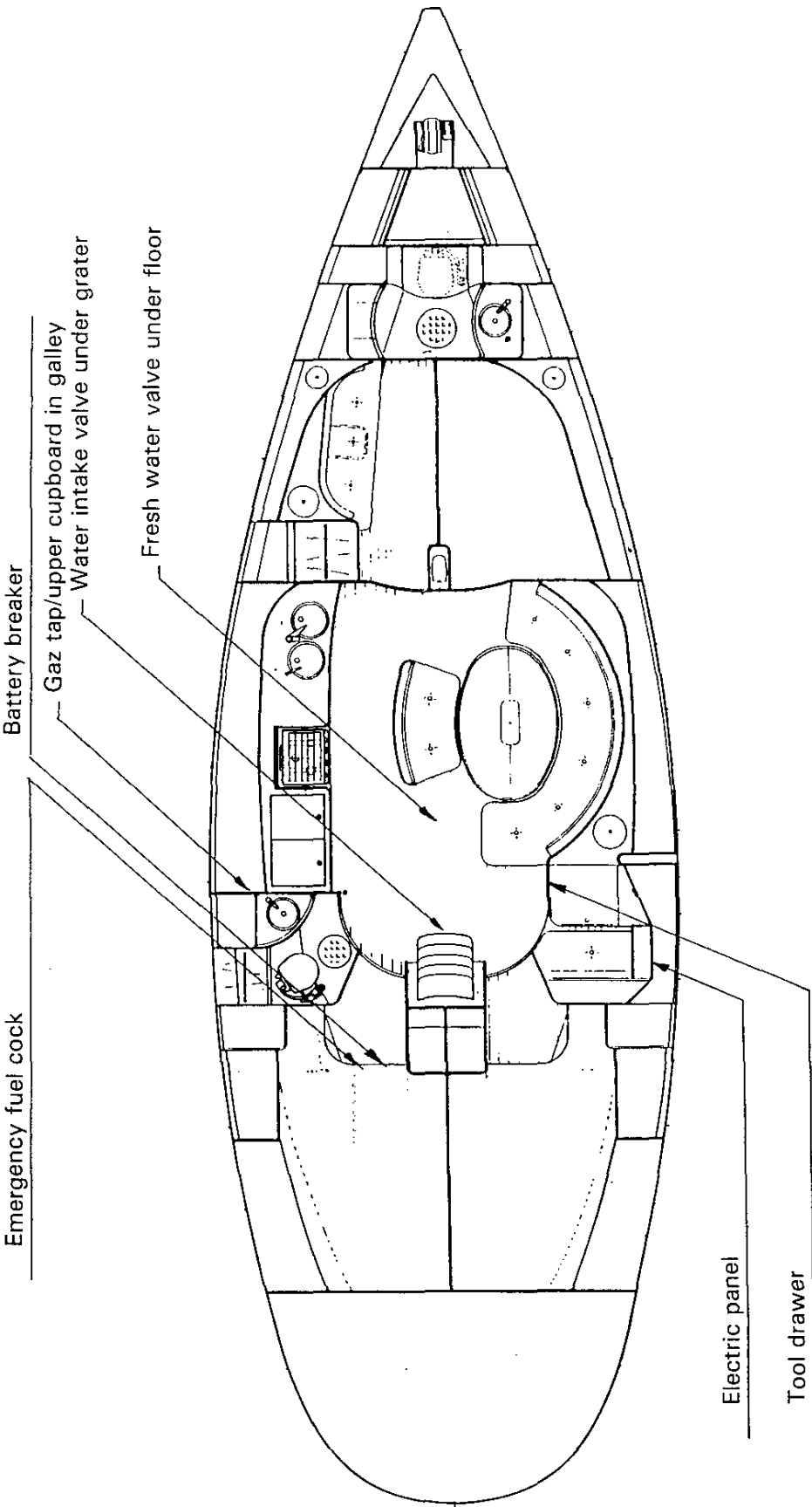
CODE BENETEAU
OPTION : 1150 K 44



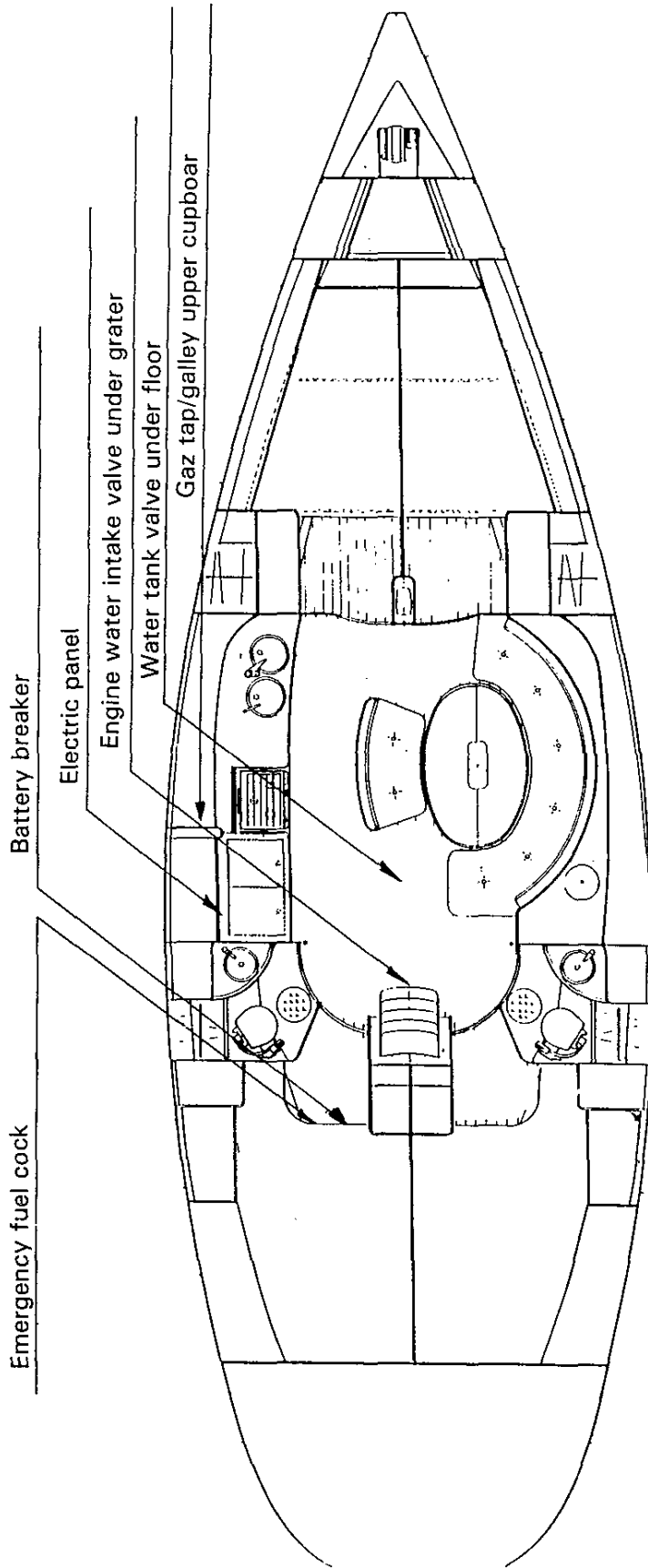
Fwd charter cabin 1 bathroom
Aft owner cabin

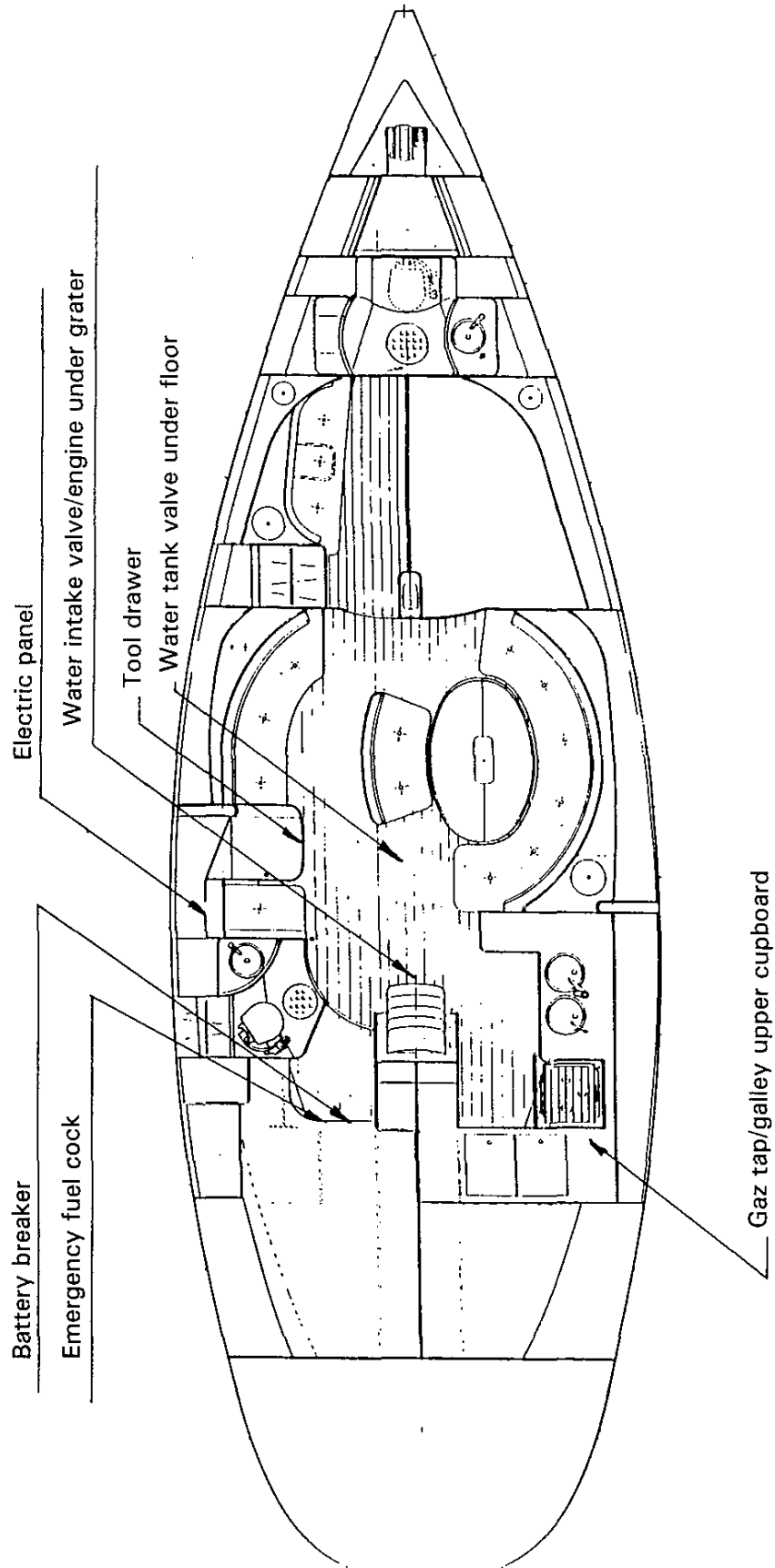
CODE BENETEAU
OPTION : 1150 K 21

VERSION FOC - ACC 1B

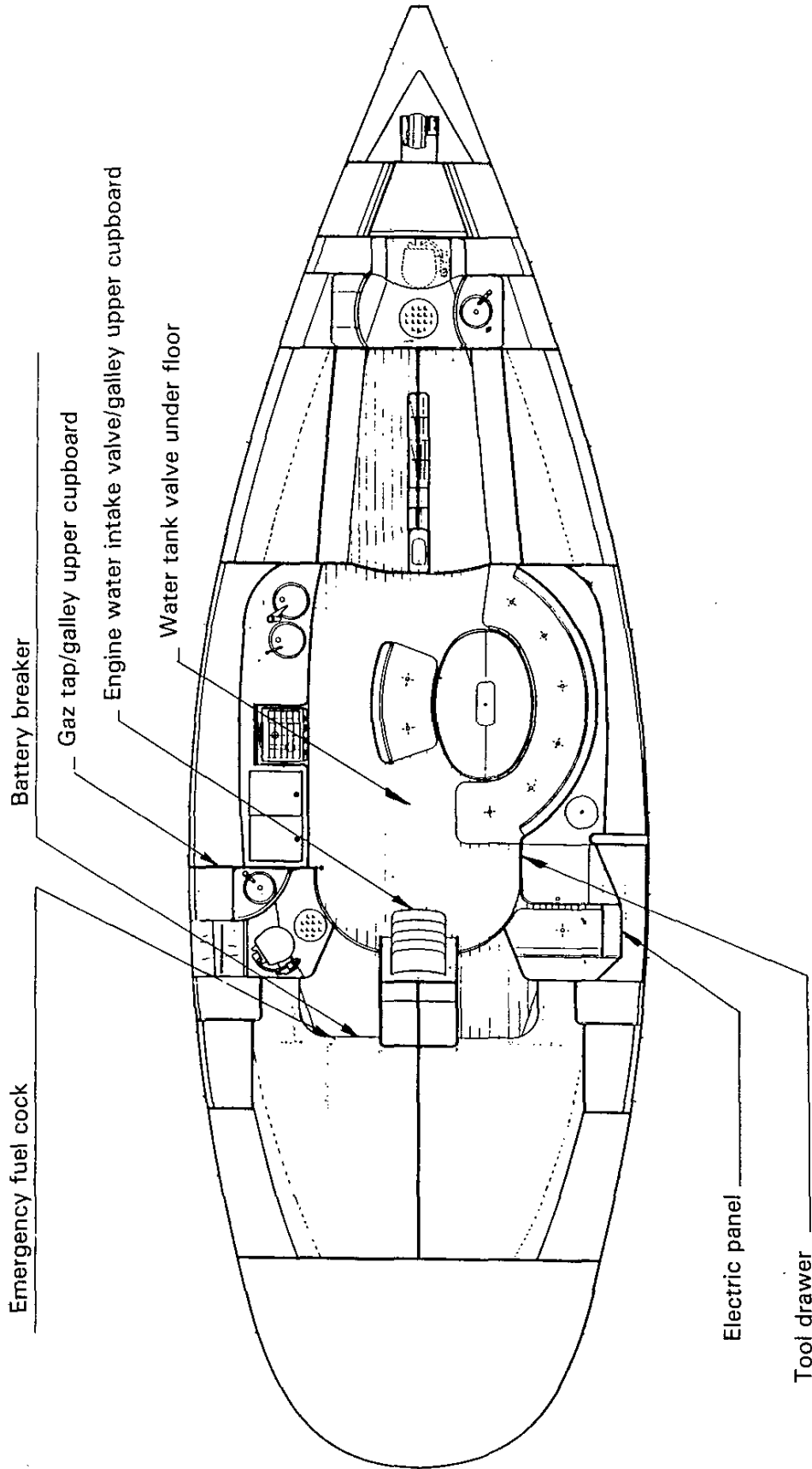


VERSION FCC - ACC 2B.

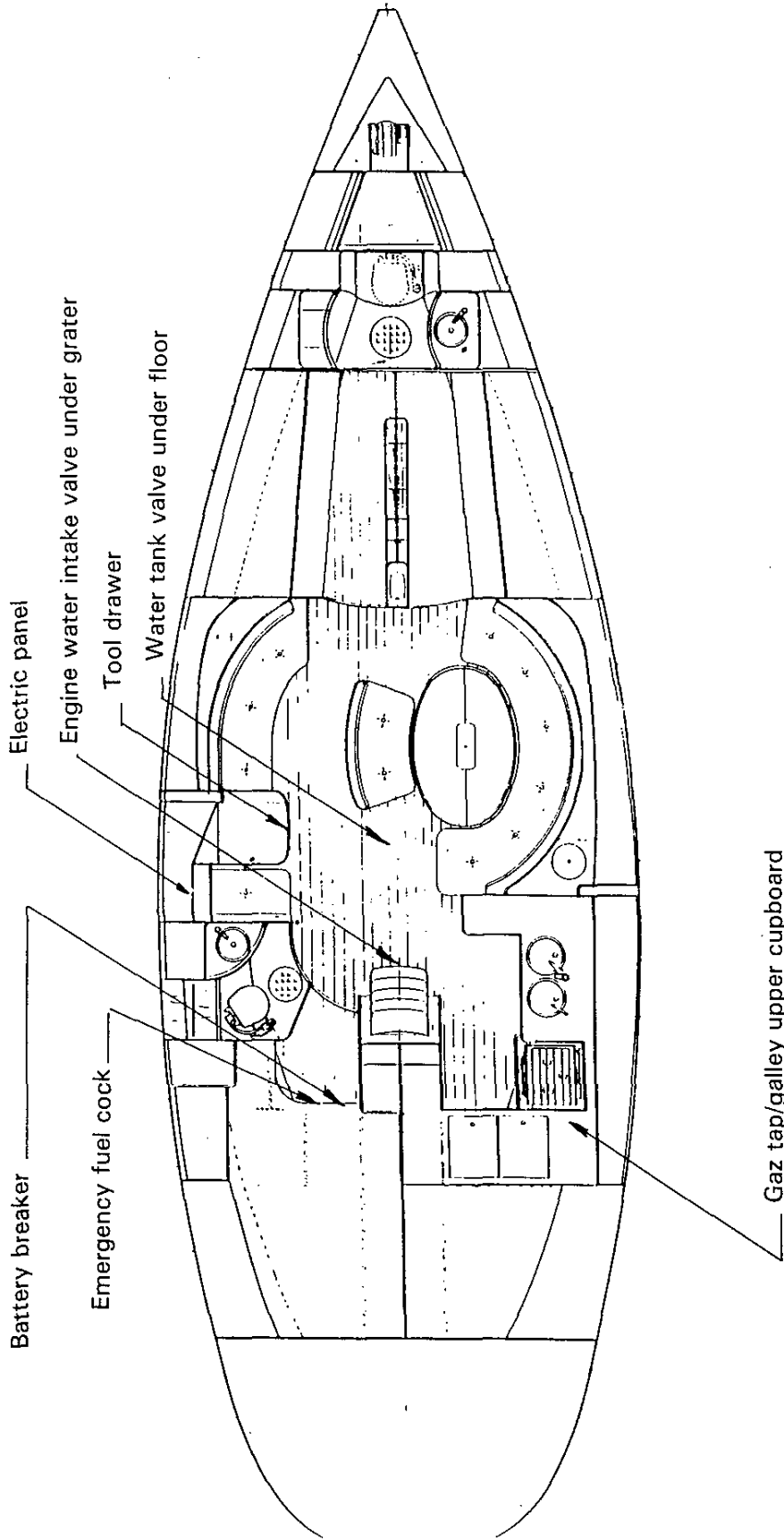


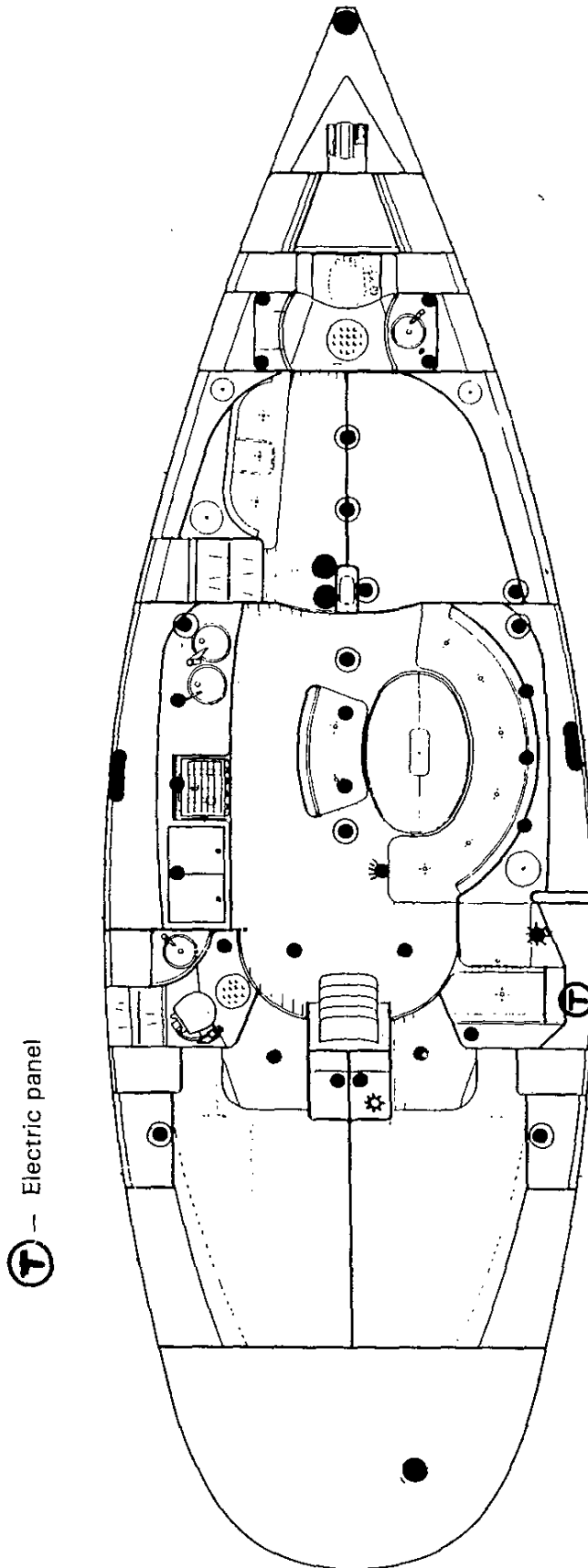


VERSION FCC 1B. - ACC 1B



VERSION FCC 1B. - AOC

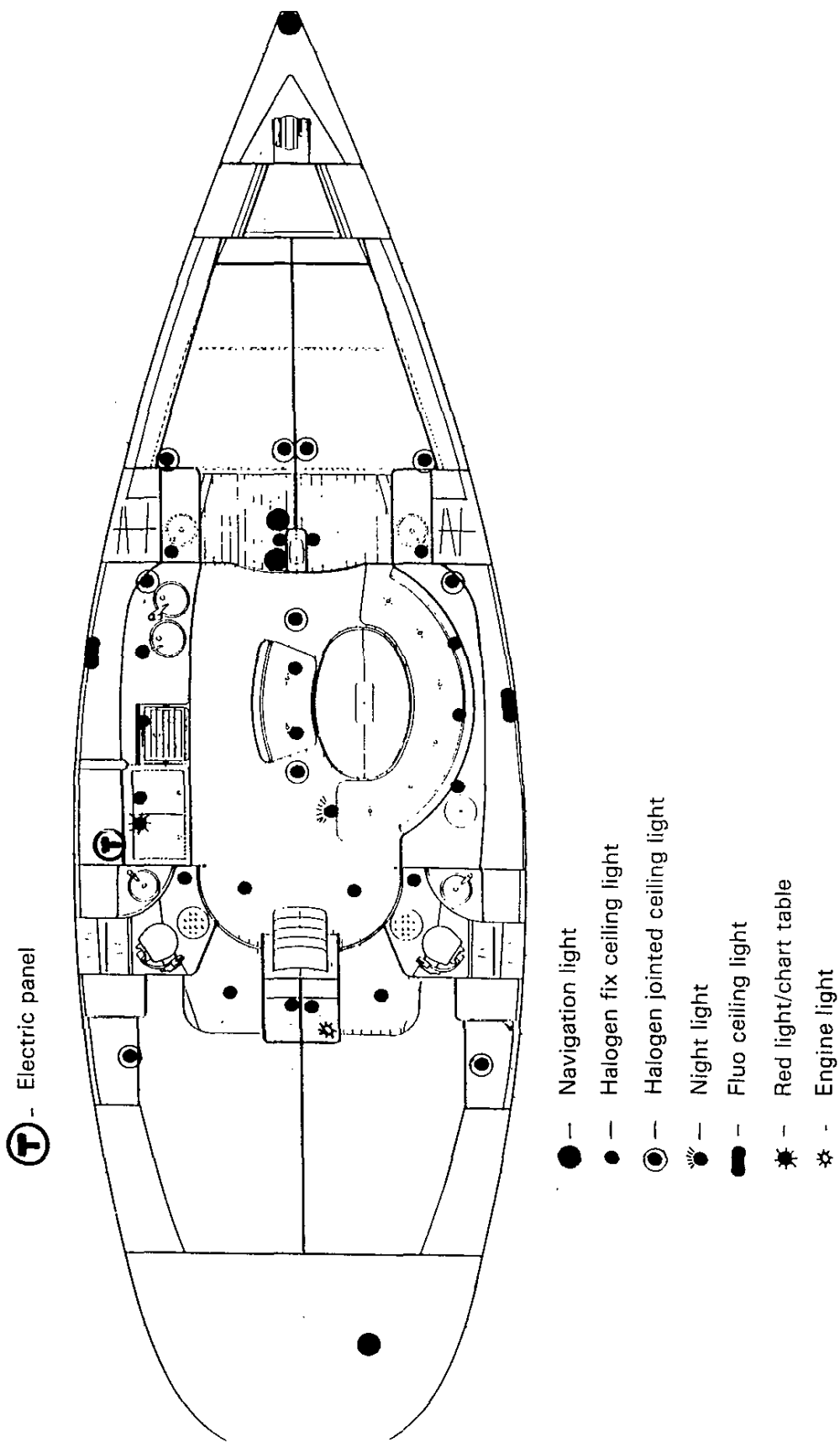




Ⓣ — Electric panel

- — Navigation light
- — Halogen fix ceiling light
- ⊙ — Halogen jointed ceiling light
- ⦿ — Night light
- — Fluo ceiling light
- ★ — Red light/chart table
- ⚙ — Engine light

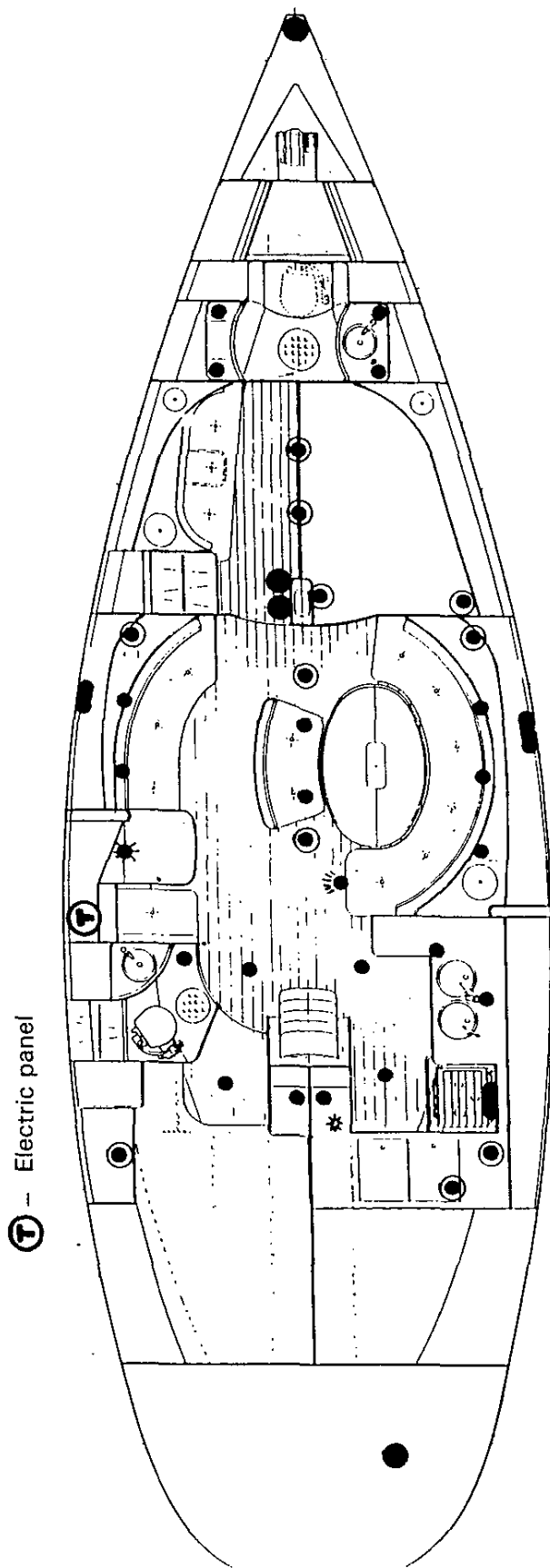
VERSION FCC - ACC 2 B



T - Electric panel

- - Navigation light
- - Halogen fix ceiling light
- - Halogen jointed ceiling light
- - Night light
- - Fluo ceiling light
- ★ - Red light/chart table
- ★ - Engine light

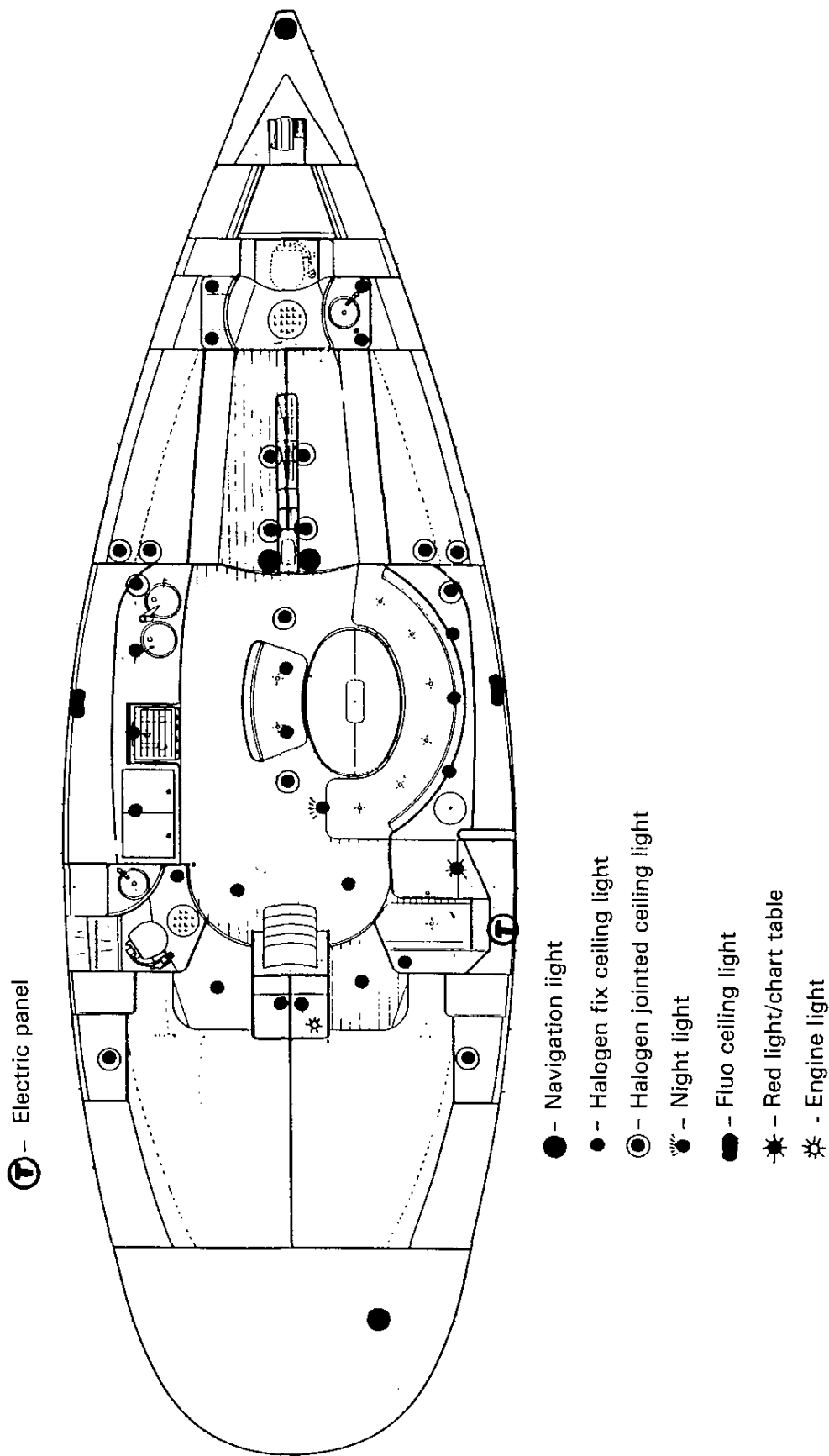
VERSION FOC - AOC



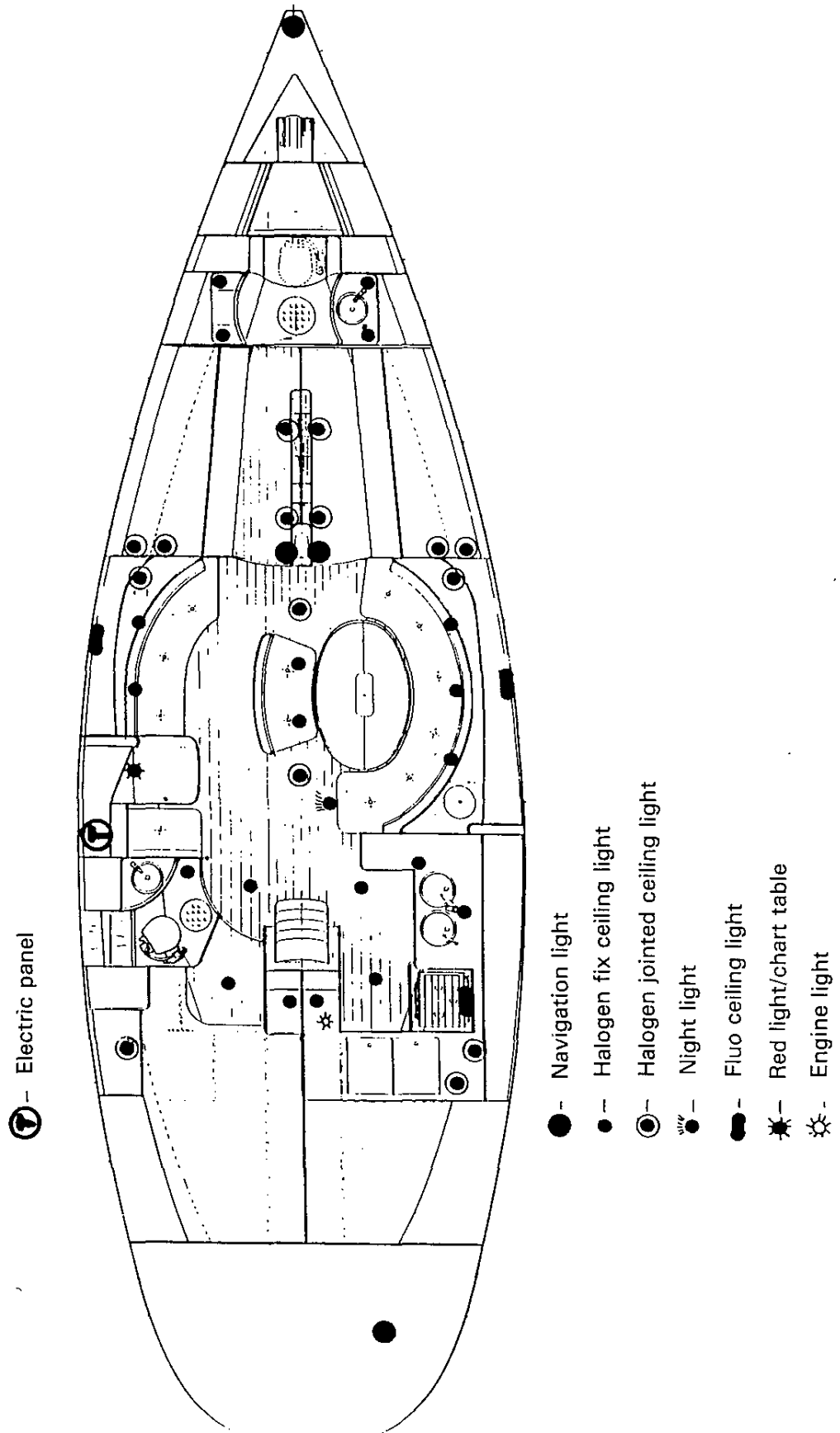
Ⓣ - Electric panel

- - Navigation light
- - Halogen fix ceiling light
- ⊙ - Halogen jointed ceiling light
- - Night light
- - Fluo ceiling light
- ★ - Red light/chart table
- ★ - Engine light

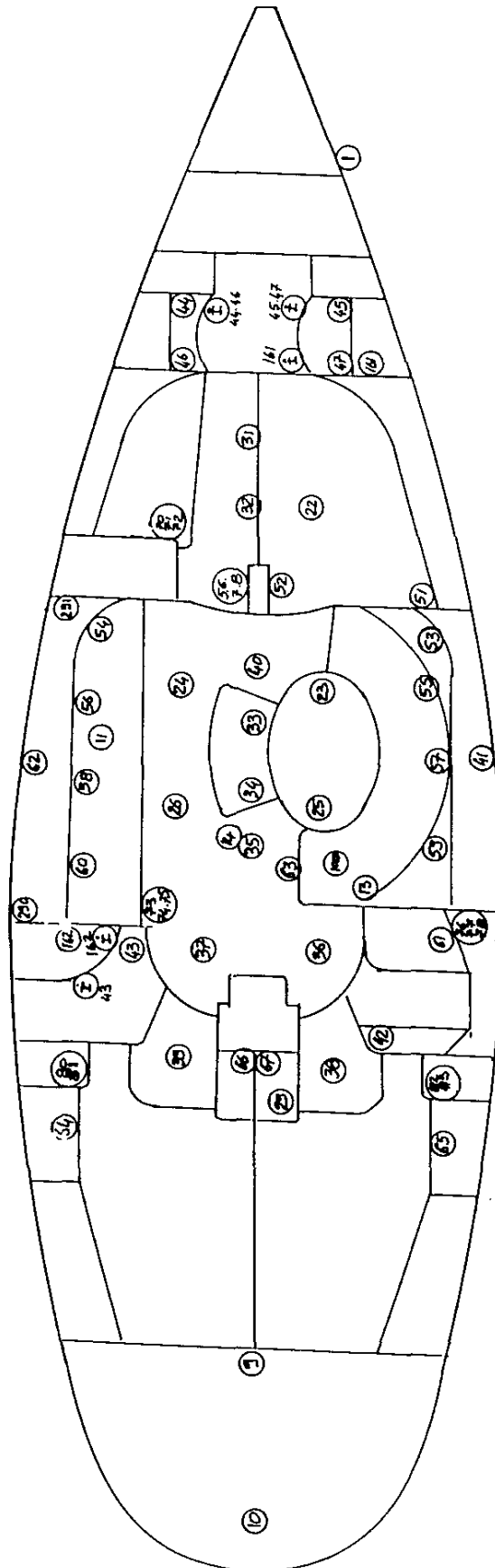
VERSION FCC 1B. - ACC 1 B



VERSION FCC 1B. - AOC



VERSION FOC - ACC 1B.



VERSION FOC - ACC 1B.

Red wires : Positive

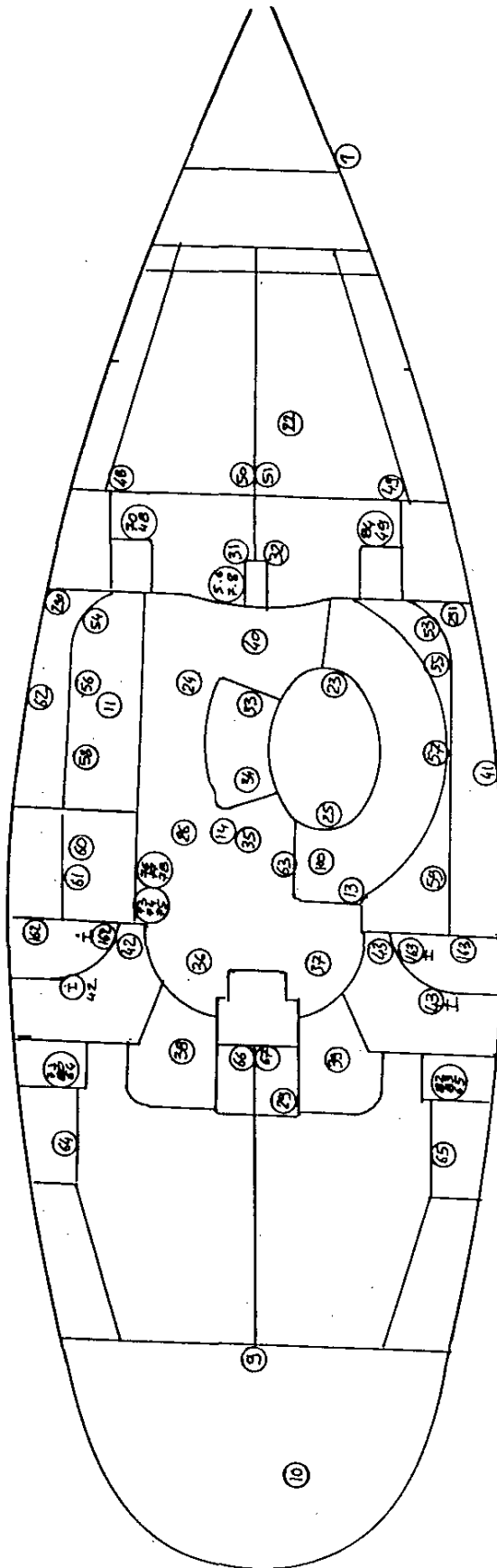
Black wires : Négative

<u>MARK</u>	<u>ITEM</u>
1	Bow light
5	Mooring light
6	Mast navigation light
7	Deck projector
8	Mast common negative
9	Compass light
10	Stern light
11	Réfrigerator
13	Fresh water pump
14	El. bilge pump
22	Fwd cabin water tank gauge
23	Saloon stbd water tank gauge
24	Saloon port water tank gauge
25	Saloon aft stbd water tank gauge
26	Saloon aft port water tank gauge
29	Engine compartment light
31	Fwd cabin ceiling light
32	Fwd cabin ceiling light
33	Saloon central ceiling light
34	Saloon central ceiling light
35	Saloon central ceiling light
36	Companionway stbd light
37	Companioway port light
38	Aft stbd cabin ceiling light
39	Aft port cabin ceiling light
40	Saloon central ceiling light
41	Saloon stbd ceiling light
42	Chart table ceiling light
43	Aft port bathroom ceiling light
44	Fwd bathroom fwd port light
45	Fwd bathroom fwd stbd light
46	Fwd bathroom aft port light
47	Fwd bathroom aft stbd light
51	Fwd cabin stbd reading light
52	Fwd cabin port reading light
53	Saloon fwd spot light
54	Galley fwd port spot light
55	Saloon stbd ceiling light
56	Galley port ceiling light
57	Saloon stbd ceiling light
58	Galley port ceiling light
59	Saloon stbd ceiling light
60	Galley port ceiling light

VERSION FOC - ACC 1B.

<u>MARK</u>	<u>ITEM</u>
61	Chart table red light
62	Saloon port ceiling light
63	Companionway night light
64	Aft port cabin port reading light
65	Aft stbd cabin stbd reading light
66	Aft port cabin stbd reading light
67	Aft stbd cabin port reading light
70	Fwd cabin switch
71	
72	
73	
74	Galley switch
75	
76	
77	Companionway - night light - charttable switch
78	
80	Aft port cabin switch
81	
82	Aft stbd cabin switch
83	
100	Water heater
161	Fwd bathroom shower draining
162	Aft port bathroom shower draining
290	Speaker (under ceiling)
291	Speaker (under ceiling)

VERSION FCC - ACC 2B.



VERSION FCC - ACC 2B.

Red wires : Positive

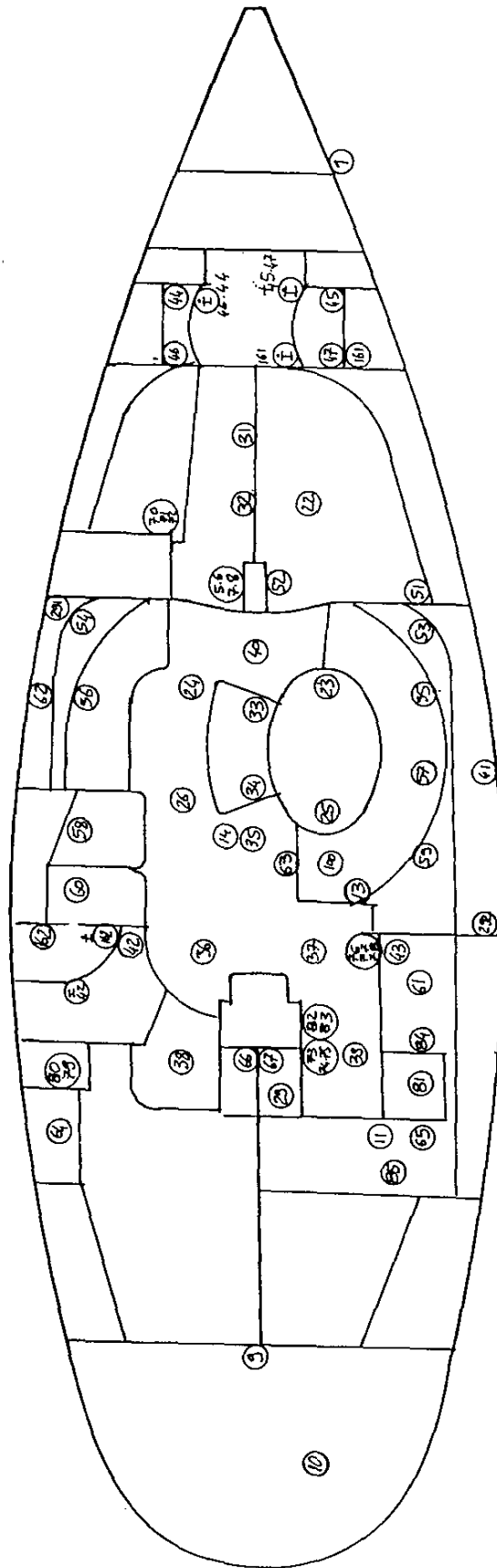
Black wires : Négative

<u>MARK</u>	<u>ITEM</u>
1	Bow light
5	Mooring light
6	Mast navigation light
7	Deck projector
8	Mast common negative
9	Compass light
10	Stern light
11	Réfrigérateur
13	Fresh water pump
14	El. bilge pump
22	Fwd cabin water tank gauge
23	Saloon stbd water tank gauge
24	Saloon port water tank gauge
25	Saloon aft stbd water tank gauge
26	Saloon aft port water tank gauge
29	Engine compartment light
31	Fwd cabin port ceiling light
32	Fwd cabin stbd ceiling light
33	Saloon central ceiling light
34	Saloon central ceiling light
35	Saloon central ceiling light
36	Companionway port light
37	Companioway stbd light
38	Aft port cabin ceiling light
39	Aft stbd cabin ceiling light
40	Saloon central ceiling light
41	Saloon stbd ceiling light
42	Aft port bathroom ceiling light
43	Aft bathroom ceiling light
48	Fwd port cabin reading light
49	Fwd stbd cabin reading light
50	Fwd port cabin reading light
51	Fwd cabin stbd reading light
53	Saloon fwd stbd spot light
54	Galley fwd port spot light
55	Saloon stbd ceiling light
56	Galley port ceiling light
57	Saloon stbd ceiling light
58	Galley port ceiling light
59	Saloon stbd ceiling light
60	Galley port ceiling light

VERSION FCC - ACC 2B.

<u>MARK</u>	<u>ITEM</u>
61	Chart table red light
62	Saloon port ceiling light
63	Companionway night light
64	Aft port cabin port reading light
65	Aft stbd cabin stbd reading light
66	Aft port cabin stbd reading light
67	Aft stbd cabin port reading light
70	Fwd port cabin switch
73	
74	Galley switch
75	
76	
77	Companionway - night light
78	
79	Aft port cabin switch
80	
82	Aft stbd cabin switch
83	
84	Fwd stbd cabin switch
100	Water heater
162	Aft port bathroom shower drainintg
163	Aft stbd bathroom shower draining
290	Speaker (under ceiling)
291	Speaker (under ceiling)

VERSION FOC - AOC



VERSION FOC - AOC

Red wires : Positive

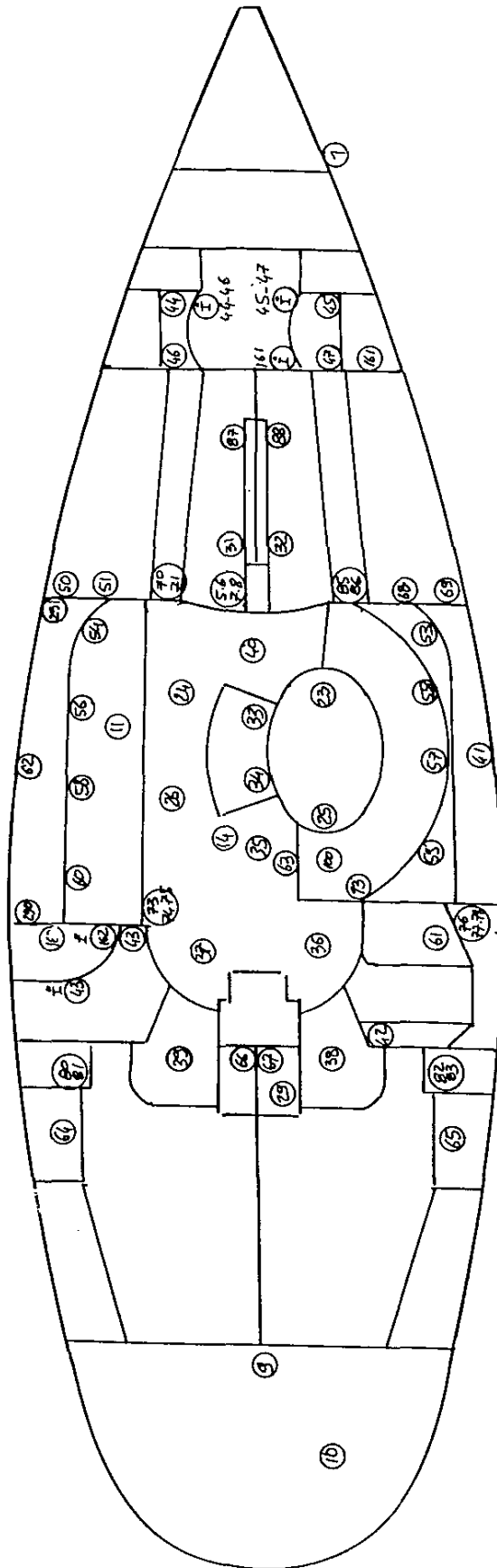
Black wires : Négative

<u>MARK</u>	<u>ITEM</u>
1	Bow light
5	Mooring light
6	Mast navigation light
7	Deck projector
8	Mast common negative
9	Compass light
10	Stern light
11	Réfrigerator
13	Fresh water pump
14	El. bilge pump
22	Fwd cabin water tank gauge
23	Saloon stbd water tank gauge
24	Saloon port water tank gauge
25	Saloon aft stbd water tank gauge
26	Saloon aft port water tank gauge
29	Engine compartment light
31	Fwd cabin ceiling light
32	Fwd cabin ceiling light
33	Saloon central ceiling light
34	Saloon central ceiling light
35	Saloon central ceiling light
36	Companionway port light
37	Companionway stbd light
38	Aft port cabin ceiling light
39	Aft stbd cabin ceiling light
40	Saloon central ceiling light
41	Saloon ceiling light
42	Aft port bathroom ceiling light
43	Galley ceiling light
44	Fwd bathroom fwd port light
45	Fwd bathroom fwd stbd light
46	Fwd bathroom aft port light
47	Fwd bathroom aft stbd light
51	Fwd cabin stbd reading light
52	Fwd cabin port reading light
53	Saloon fwd stbd spot light
54	Galley fwd port spot light
55	Saloon stbd ceiling light
56	Galley port ceiling light
57	Saloon stbd ceiling light
58	Chart table red ceiling light
59	Saloon stbd ceiling light
60	Chart table ceiling light

VERSION FOC - AOC

<u>MARK</u>	<u>ITEM</u>
61	Galley ceiling light / sink
62	Saloon port ceiling light
63	Companionway night light
64	Aft port cabin port reading light
65	Aft stbd cabin stbd reading light
66	Aft port cabin stbd reading light
67	Aft stbd cabin port reading light
70	
71	Fwd cabin switch
72	
73	
74	Saloon ceiling light switch
75	
76	
77	Galley ceiling light switch
78	
79	Aft port cabin switch
80	
81	Galley ceiling light
82	Companionway night light switch
83	
84	Galley ceiling
85	Galley ceiling light / ice box
100	Water heater
161	Fwd bathroom shower draining
162	Aft port bathroom shower draining
291	Speaker (under ceiling)
292	Speaker (under ceiling)

VERSION FCC 1B. - ACC 1B.



VERSION FCC 1B - ACC 1B.

Red wires : Positive

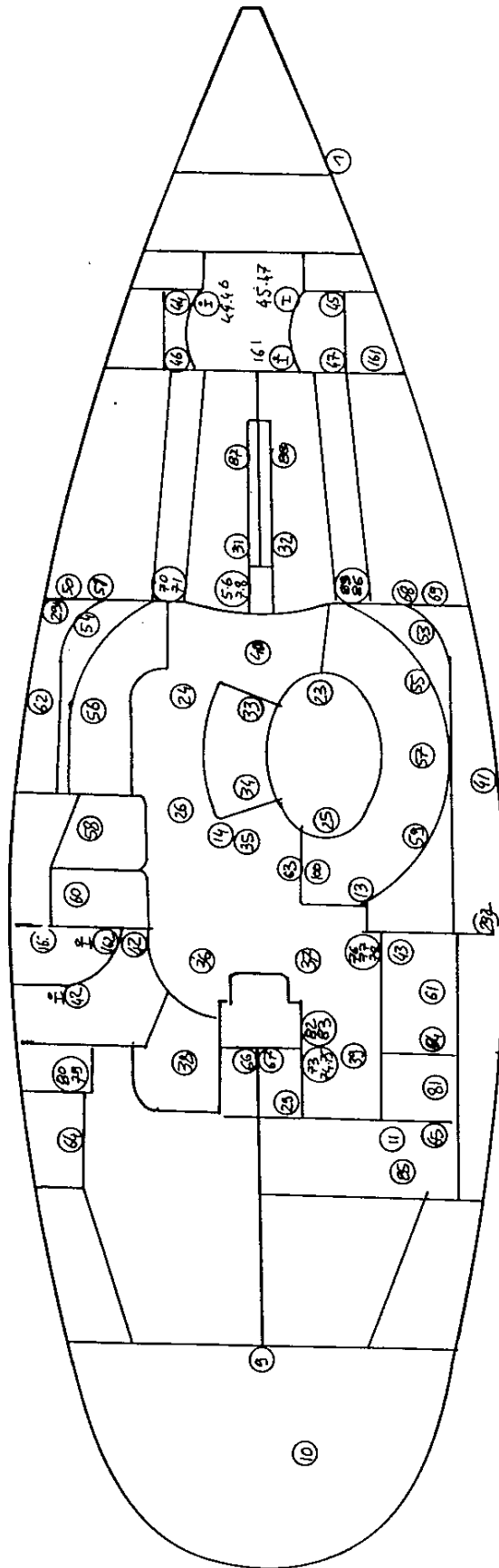
Black wires : Négative

<u>MARK</u>	<u>ITEM</u>
1	Bow light
5	Mooring light
6	Mast navigation light
7	Deck projector
8	Mast common negative
9	Compass light
10	Stern light
11	Réfrigérateur
13	Fresh water pump
14	El. bilge pump
23	Saloon stbd water tank gauge
24	Saloon port water tank gauge
25	Saloon aft stbd water tank gauge
26	Saloon aft port water tank gauge
29	Engine compartment light
31	Fwd port cabin ceiling light
32	Fwd stbd cabin ceiling light
33	Saloon central ceiling light
34	Saloon central ceiling light
35	Saloon central ceiling light
36	Companionway stbd light
37	Companionway port light
38	Aft stbd cabin ceiling light
39	Aft port cabin ceiling light
40	Saloon central ceiling light
41	Saloon stbd ceiling light
42	Chart table ceiling light
43	Aft port bathroom ceiling light
44	Fwd bathroom fwd port light
45	Fwd bathroom fwd stbd light
46	Fwd bathroom aft port light
47	Fwd bathroom aft stbd light
50	Fwd port cabin reading light
51	Fwd cabin stbd reading light
52	Fwd cabin port reading light
53	Saloon fwd stbd spot light
54	Galley fwd port spot light
55	Saloon stbd ceiling light
56	Galley port ceiling light
57	Saloon stbd ceiling light
58	Galley port ceiling light
59	Saloon stbd ceiling light
60	Galley port ceiling light

VERSION FCC1B. - ACC 1B

<u>MARK</u>	<u>ITEM</u>
61	Chart table red light
62	Saloon port ceiling light
63	Companionway night light
64	Aft port cabin port reading light
65	Aft stbd cabin stbd reading light
66	Aft port cabin stbd reading light
67	Aft stbd cabin port reading light
68	Fwd stbd cabin reading light
69	Fwd stbd cabin reading light
70	
71	
73	
74	Galley switch
75	
76	
77	Companionway - night light - charttable switch
78	
80	Aft port cabin switch
81	
82	Aft stbd cabin switch
83	
85	Fwd stbd cabin switch
86	
87	Fwd port cabin ceiling light
88	Fwd stbd cabin ceiling light
100	Water heater
161	Fwd bathroom shower draining
162	Aft port bathroom shower draining
290	Speaker (under ceiling)
291	Speaker (under ceiling)

VERSION FCC 1B - AOC



VERSION FCC 1B - AOC

Red wires : Positive

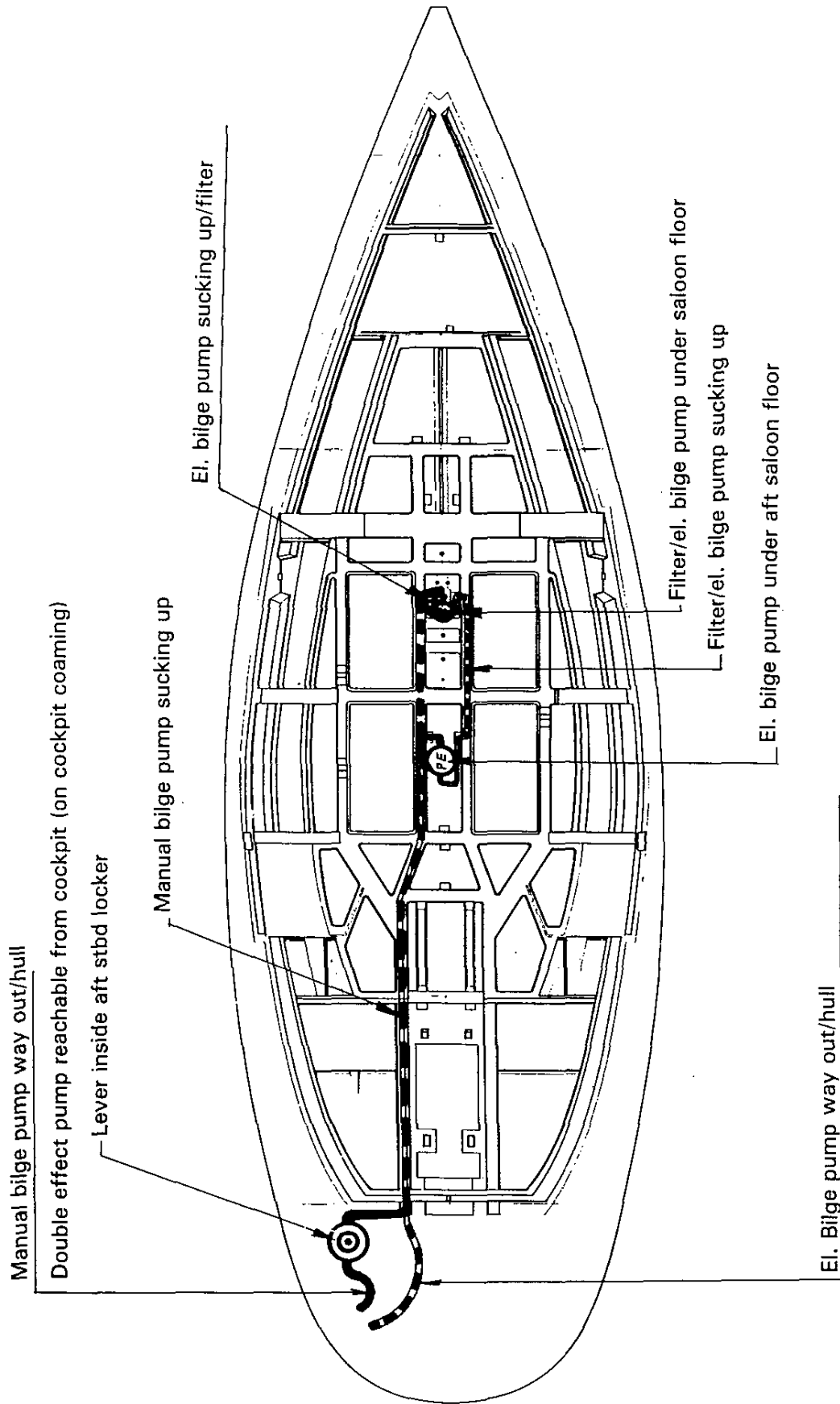
Black wires : Négative

<u>MARK</u>	<u>ITEM</u>
1	Bow light
5	Mooring light
6	Mast navigation light
7	Deck projector
8	Mast common negative
9	Compass light
10	Stern light
11	Réfrigerator
13	Fresh water pump
14	El. bilge pump
23	Saloon stbd water tank gauge
24	Saloon port water tank gauge
25	Saloon aft stbd water tank gauge
26	Saloon aft port water tank gauge
29	Engine compartment light
31	Fwd port cabin ceiling light
32	Fwd stbd cabin ceiling light
33	Saloon central ceiling light
34	Saloon central ceiling light
35	Saloon central ceiling light
36	Companionway port light
37	Companioway stbd light
38	Aft port cabin ceiling light
39	Galley ceiling light
40	Saloon central ceiling light
41	Saloon ceiling light
42	Aft port bathroom ceiling light
43	Galley ceiling light
44	Fwd bathroom fwd port light
45	Fwd bathroom fwd stbd light
46	Fwd bathroom aft port light
47	Fwd bathroom aft stbd light
50	Fwd port cabin reading light
51	Fwd cabin port reading light
53	Saloon fwd stbd spot light
54	Saloon fwd port spot light
55	Saloon stbd ceiling light
56	Saloon port ceiling light
57	Saloon stbd ceiling light
58	Chart table red ceiling light
59	Saloon stbd ceiling light
60	Chart table ceiling light

VERSION FCC 1B - AOC

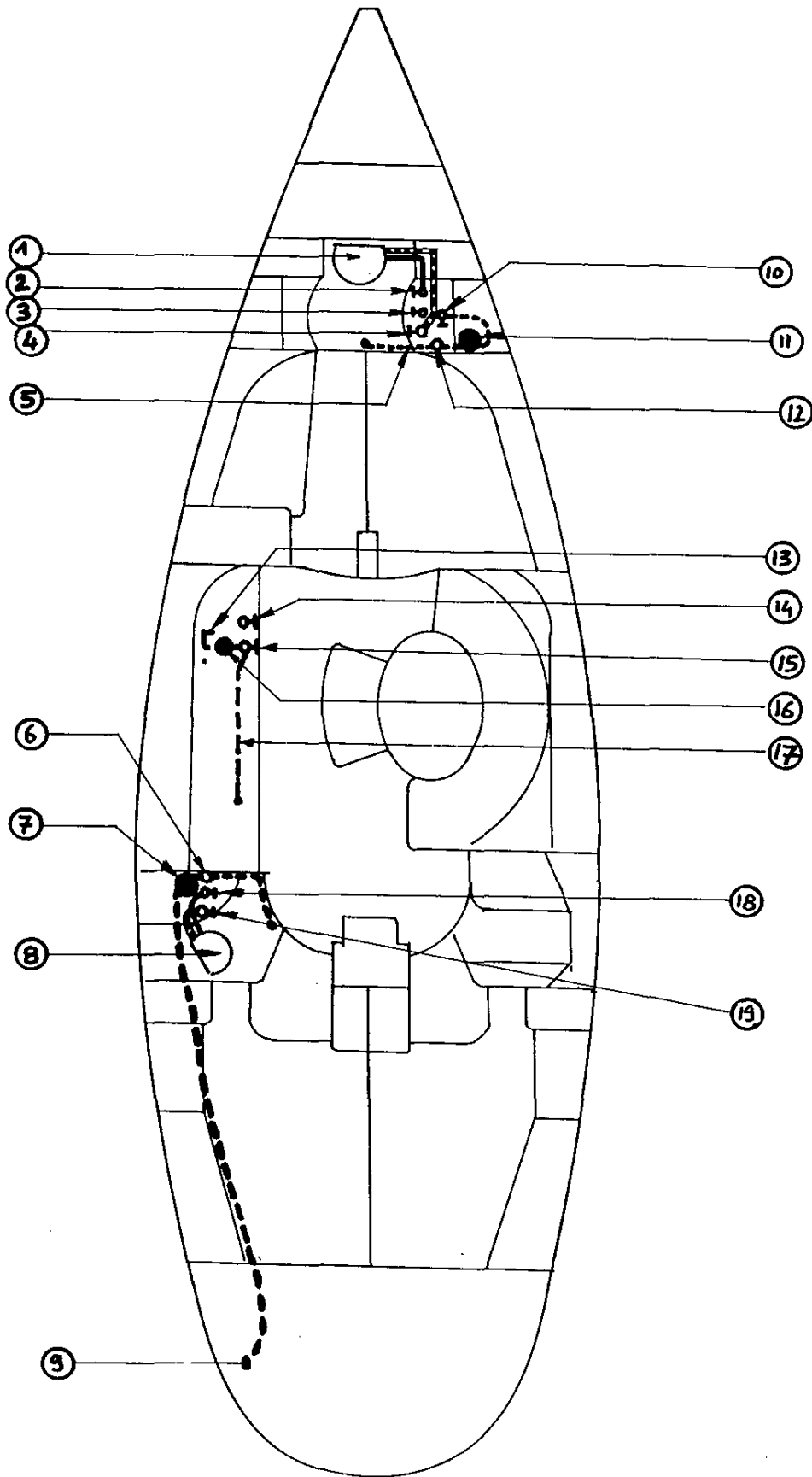
<u>MARK</u>	<u>ITEM</u>
61	
62	Saloon port ceiling light
63	Companionway night light
64	Aft port cabin port reading light
65	Galley ceiling light
66	Aft port cabin stbd reading light
67	Galley ceiling light
68	Fwd stbd cabin reading light
69	Fwd stbd cabin reading light
70	
71	Fwd port cabin switch
73	
74	Saloon ceiling light switch
75	
76	
77	Galley ceiling light switch
78	
79	Aft port cabin switch
80	Galley ceiling light
81	
82	Companionway night light switch
83	
84	Galley ceiling light
85	Galley ceiling light /ice box
86	Fwd stbd cabin switch
87	Fwd port cabin ceiling light
88	Fwd stbd cabin ceiling light
89	Fwd stbd cabin switch
100	Water heater
161	Fwd bathroom shower draining
162	Aft port bathroom shower draining
291	Speaker (under ceiling)
292	Speaker (under ceiling)

ALL VERSIONS



WAY OUT TO THE SEA

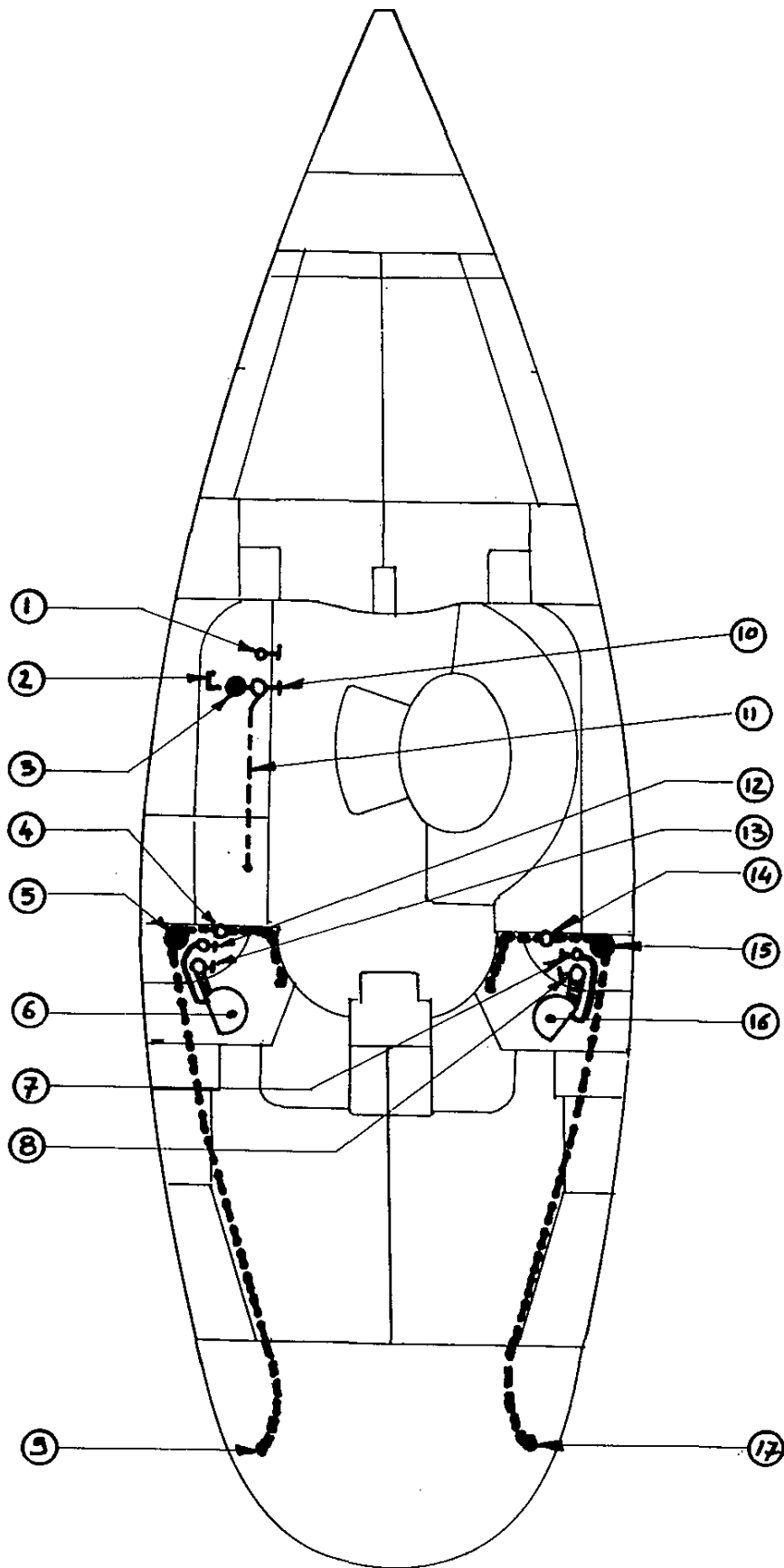
VERSIONS : FOC - ACC 1B
FCC 1B. - ACC 1E



WAY OUT TO THE SEA

VERSIONS : FOC - ACC 1B.
FCC 1B. - ACC 1B.

<u>MARCK</u>	<u>ITEM</u>
1	Fore WC
2	Valve 1/4 T fwd WC sucking up
3	Valve 1/4 T fwd wash basin draining
4	Valve 1/4 T fwd WC draining
5	fwd shower draining
6	Filter/aft port shower draining
7	Aft port shower draining pump
8	Aft port WC
9	Aft port shower draining thru-hull
10	Valve 1/4 T fwd shower draining
11	Fwd shower draining pump
12	Filter/fwd shower draining
13	Pourer/salt water foot pump/ice box draining
14	Valve 1/4 T sink draining
15	Valve 1/4 T 3 ways for salt water/ice box draining
16	Foot pump
17	Ice box draining way out
18	Valve 1/4 T wc sucking up
19	Valve 1/4 T aft port wc draining



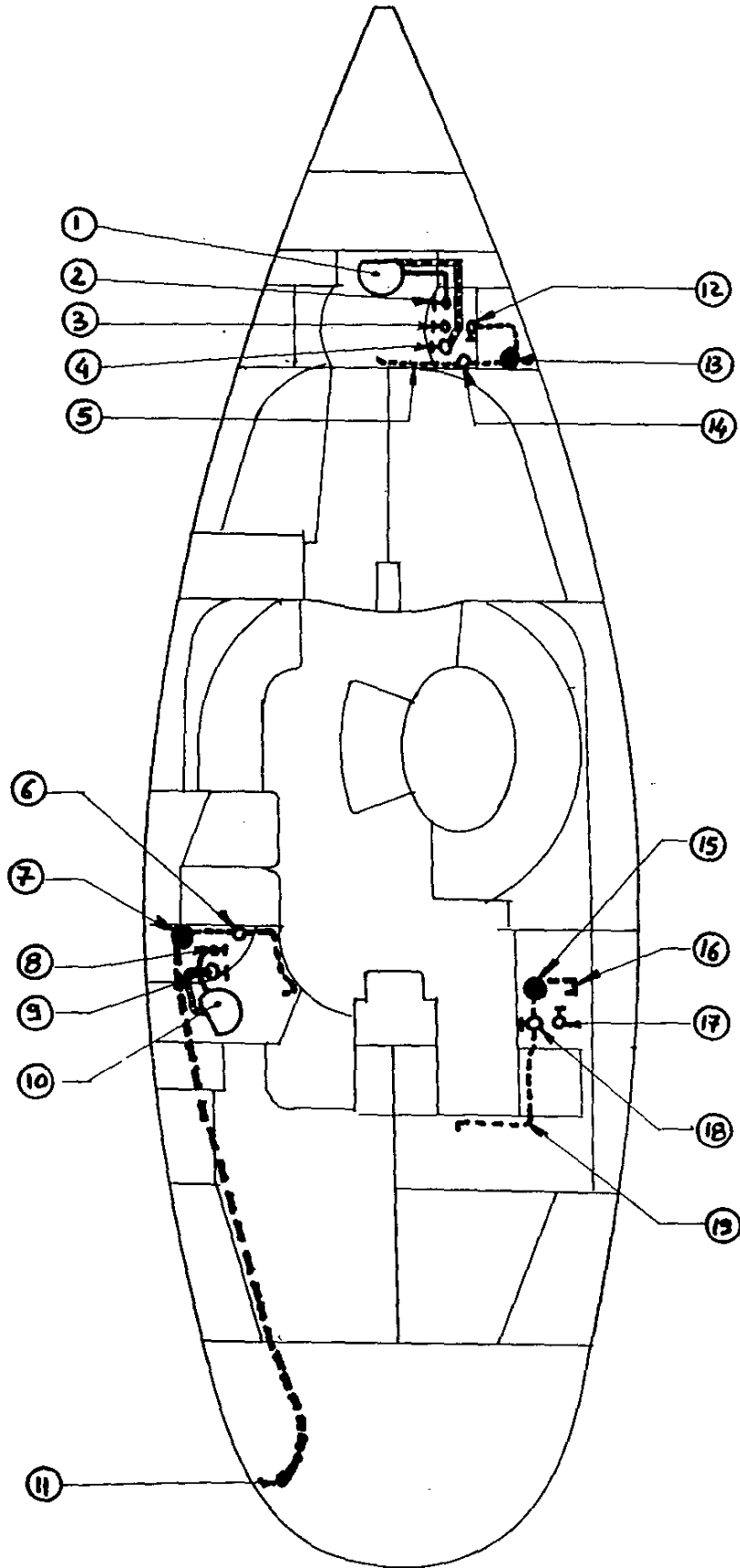
WAY OUT TO THE SEA

VERSION : FCC - ACC 2B

<u>MARCK</u>	<u>ITEM</u>
1	Valve 1/4 T sink draining
2	Pourer/salt water foot pump/ice box draining
3	Foot pump
4	Filter/aft port shower draining
5	Aft port shower draining pump
6	Aft port WC
7	Valve 1/4 T aft stbd WC sucking up
8	Valve 1/4 T aft stbd WC draining
9	Aft port shower draining thru-hull
10	Valve 1/4 T 3 ways salt water sucking up/ice box draining
11	Ice box draining way out
12	Valve 1/4 T aft port WC sucking up
13	Valve 1/4 T aft port WC draining
14	Filter/aft stbd shower draining
15	Aft stbd shower draining pump
16	Aft stbd WC
17	Aft stbd shower draining thru-hull

WAY OUT TO THE SEA

VERSIONS : FOC - AOC
FCC 1B. - AOC

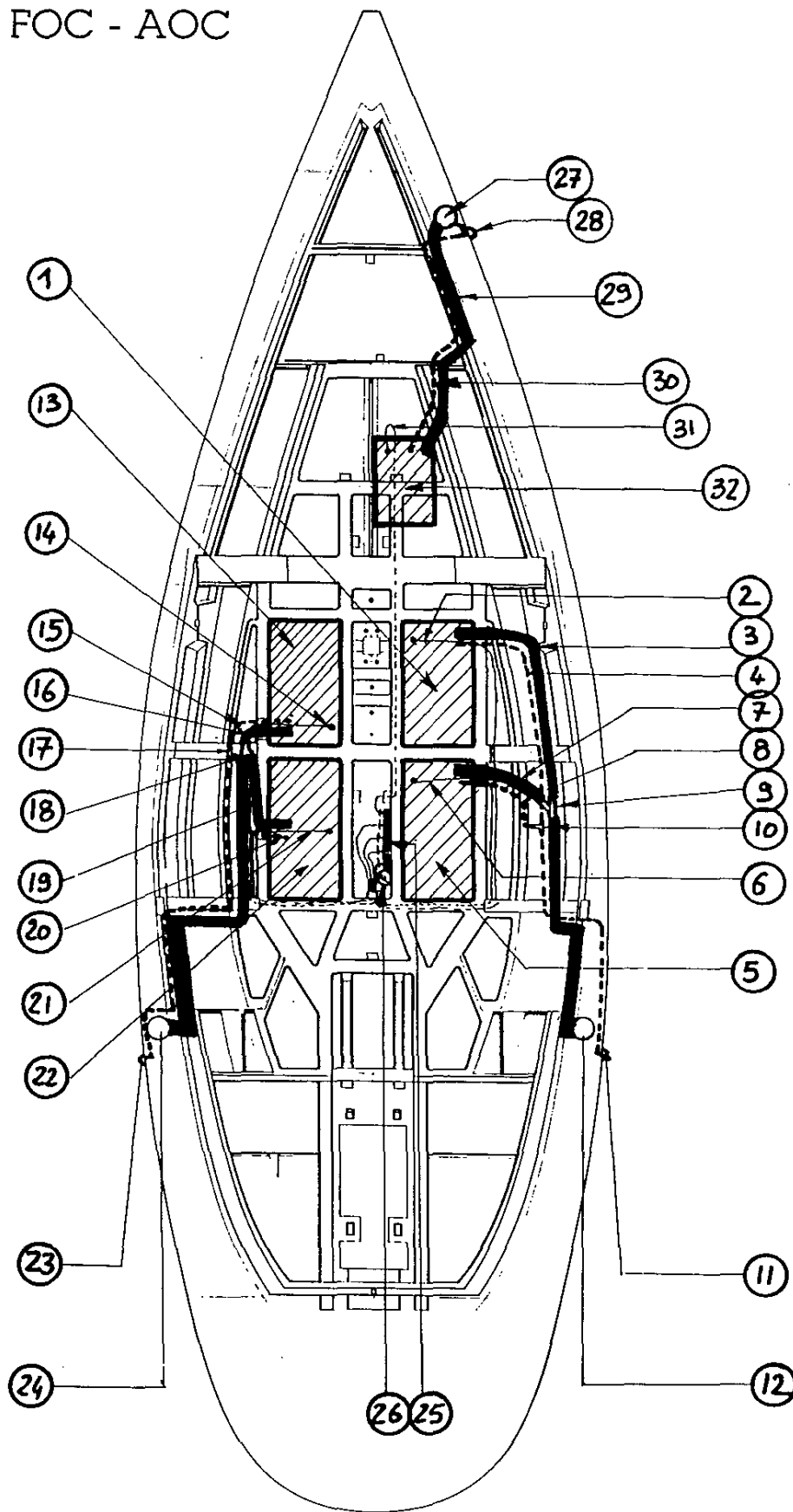


WAY OUT TO THE SEA

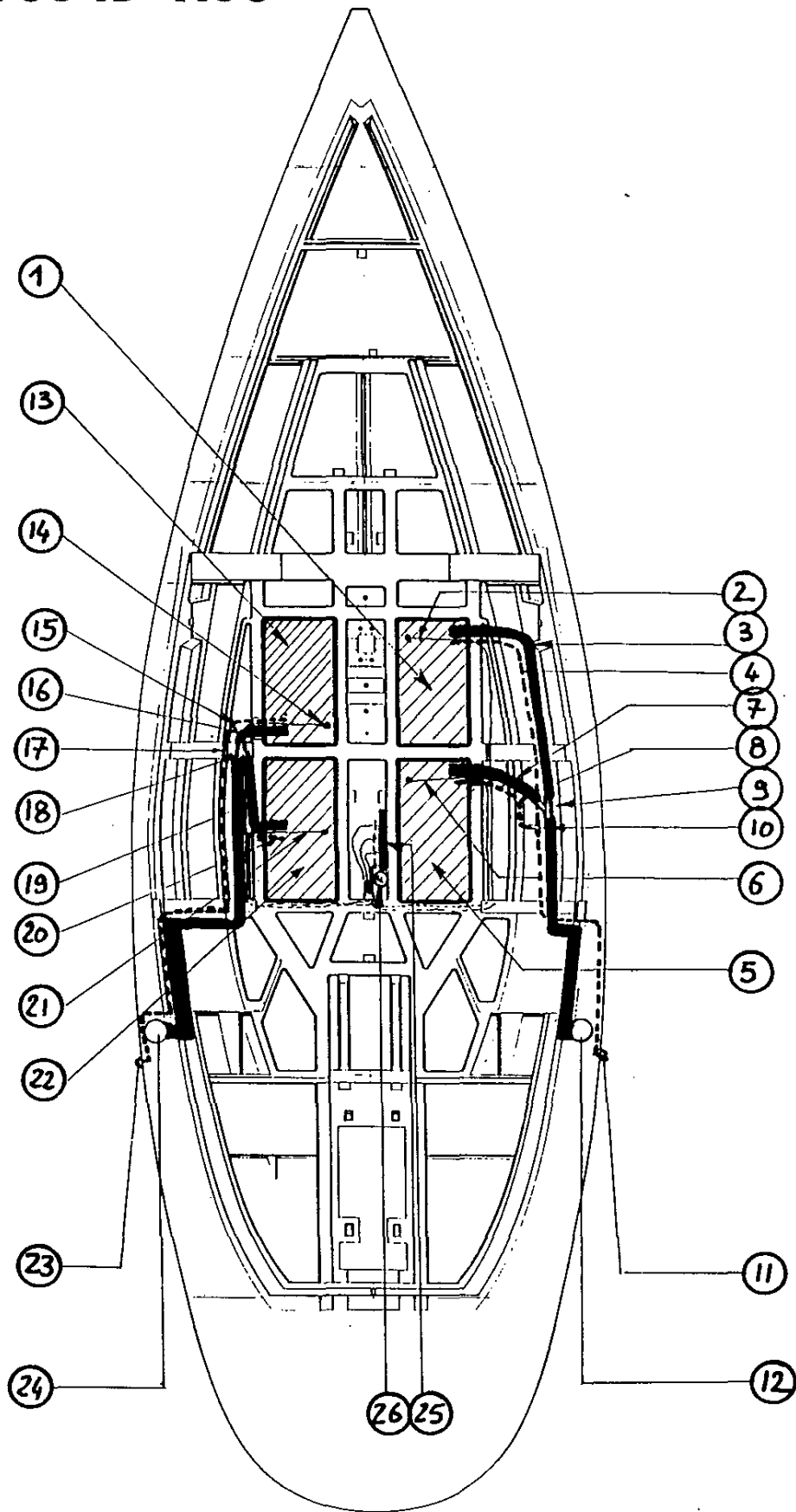
VERSIONS : FOC - AOC
FCC 1B. - AOC

<u>MARCK</u>	<u>ITEM</u>
1	Fore WC
2	Valve 1/4 T fwd WC sucking up
3	Valve 1/4 T fwd wash basin draining
4	Valve 1/4 T fwd WC draining
5	fwd shower draining
6	Filter/aft port shower draining
7	Aft port shower draining pump
8	Valve 1/4 T aft port WC sucking UP
9	Valve 1/4 T aft port WC draining
10	Aft port WC
11	Aft port shower draining thru-hull
12	Valve 1/4 T fwd shower draining
13	Fwd shower draining pump
14	Filter/fwd shower draining
15	Foot pump
16	Pourer/salt water foot pump/ice box draining
17	Valve 1/4 T sink draining
18	Valve 1/4 T 3 ways salt water sucking up/ice box draining
19	Ice box draining

VERSIONS : FOC - ACC - 1B
FCC - ACC 2B
FOC - AOC



VERSIONS : FCC 1B. - ACC 1B.
FCC 1B - AOC



<u>MARCK</u>	<u>ITEM</u>
1	Saloon fwd stbd water tank
2	Saloon fwd stbd water tank sucking up
3	Saloon fwd stbd water tank filling up
4	Saloon fwd stbd water tank vent
5	Saloon aft stbd water tank
6	Saloon aft stbd water tank sucking up
7	Saloon aft stbd water tank filling up
8	Saloon aft stbd water tank vent
9	Saloon stbd water tank Y connection
10	Saloon stbd water tank vent T connection
11	Saloon stbd water tank vent
12	Saloon stbd water tank deck filler
13	Saloon fwd port water tank
14	Saloon fwd port water tank sucking up
15	Saloon fwd port water tank vent
16	Saloon fwd port water tank filling up
17	Saloon port water tank T connection
18	Saloon port water tank Y connection
19	Saloon aft port water tank filling up
20	Saloon aft port water tank vent
21	Saloon aft port water tank sucking up
22	Saloon aft port water tank
23	Saloon port water tank vent
24	Saloon port water tank deck filler
25	Fresh water sucking up collector = valves
26	Filter/fresh water sucking up
27 *	Fwd cabin water tank deck filler
28 *	Fwd water tank vent
29 *	Fwd water tank filling up
30 *	Fwd cabin water tank vent
31 *	Fwd cabin water tank sucking up
32 *	Fwd cabin water tank

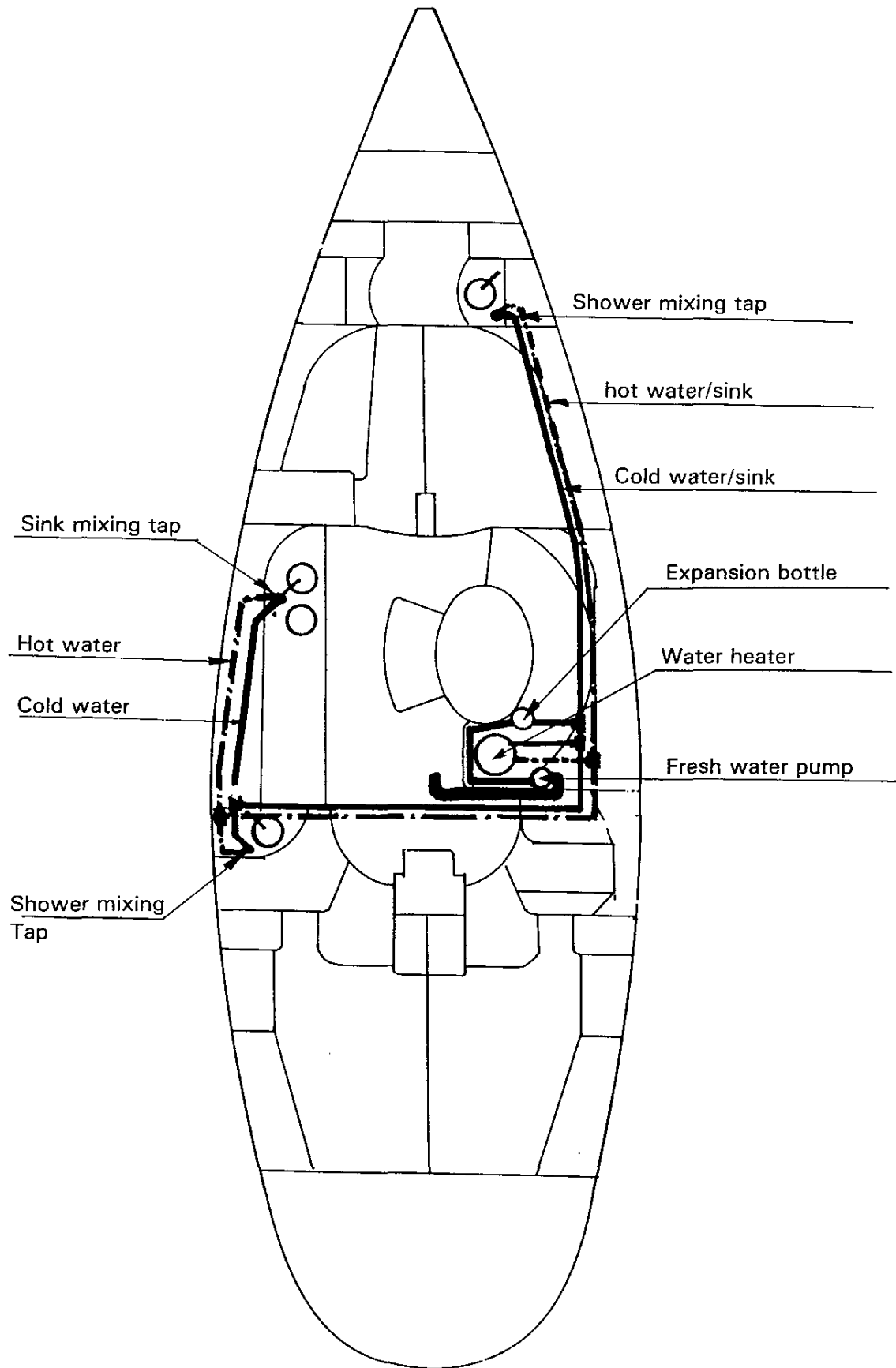
* VERSIONS : FOC - ACC 1B.

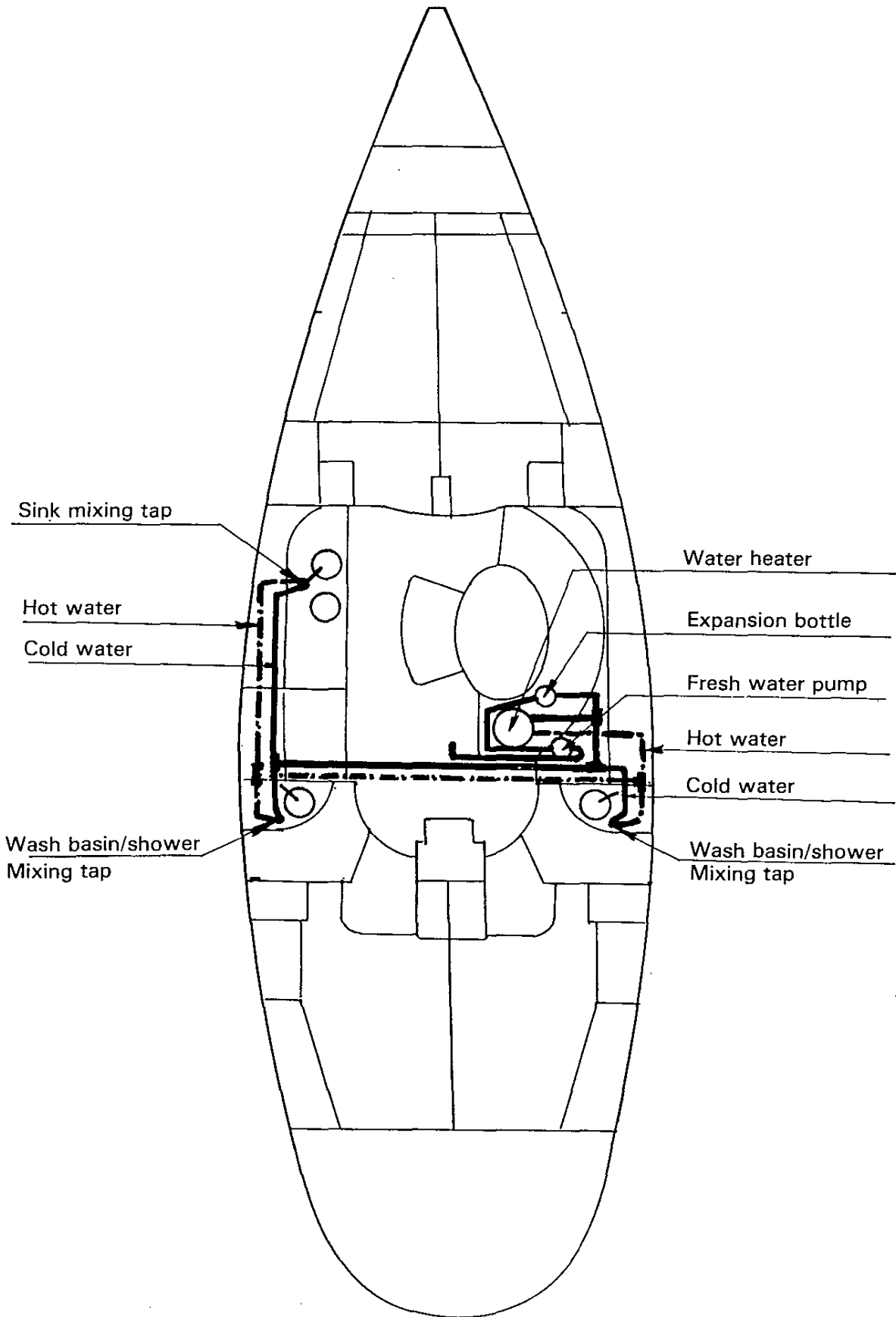
FOC - AOC

FCC - ACC 1 B.

COLD AND HOT WATER

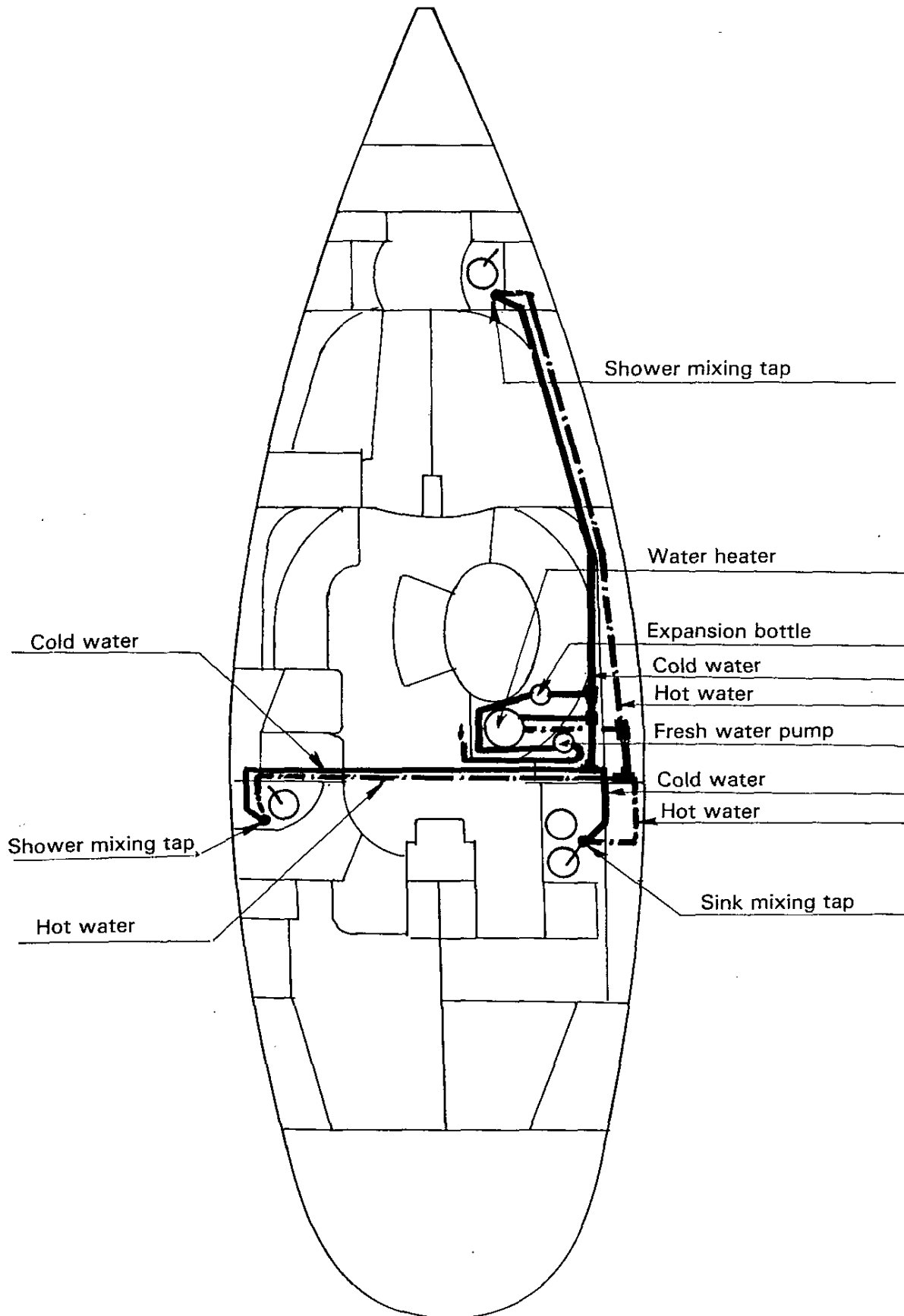
VERSIONS : FOC - ACC 1B.
FCC 1B. - ACC 1B.



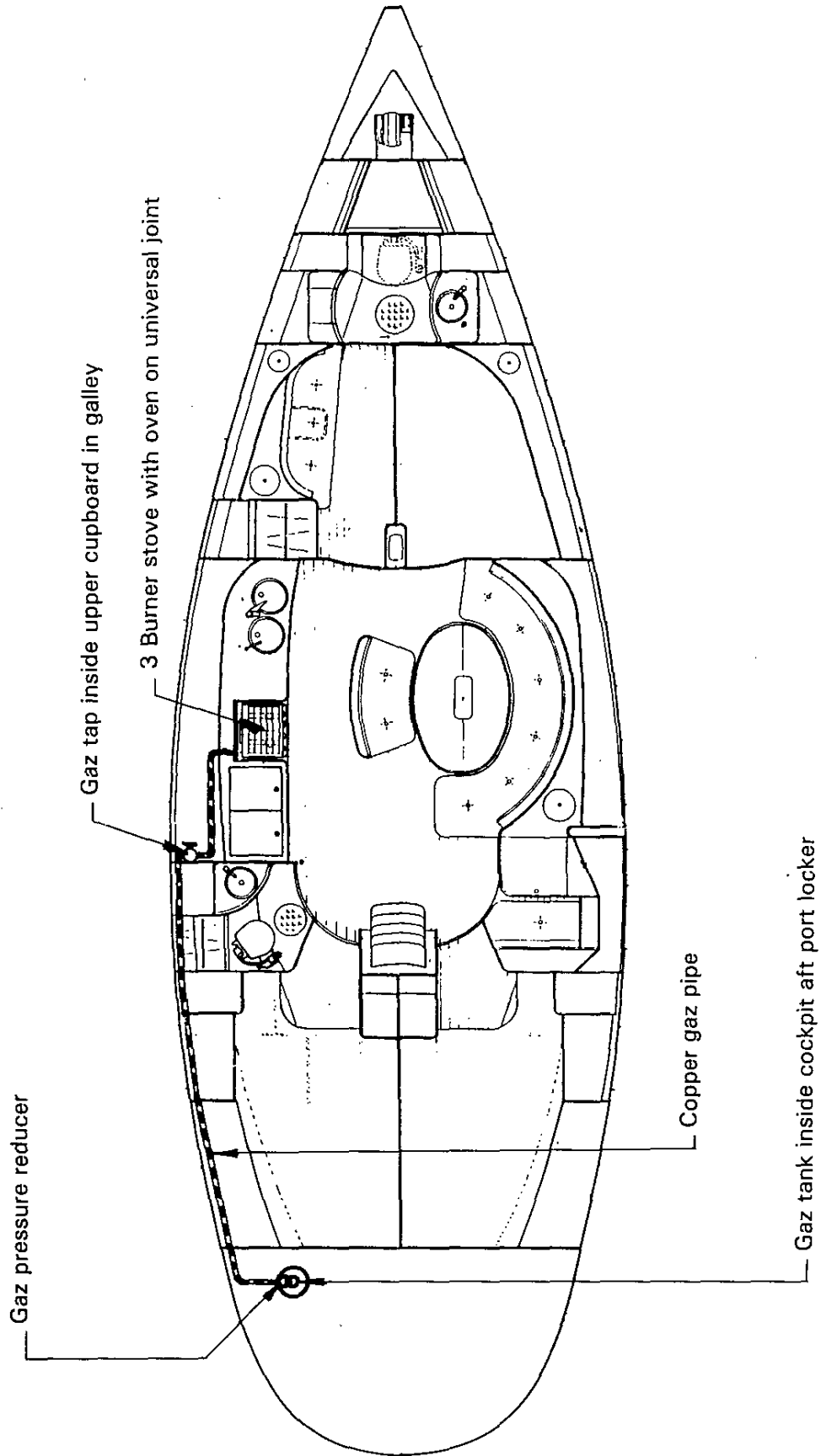


COLD AND HOT WATER

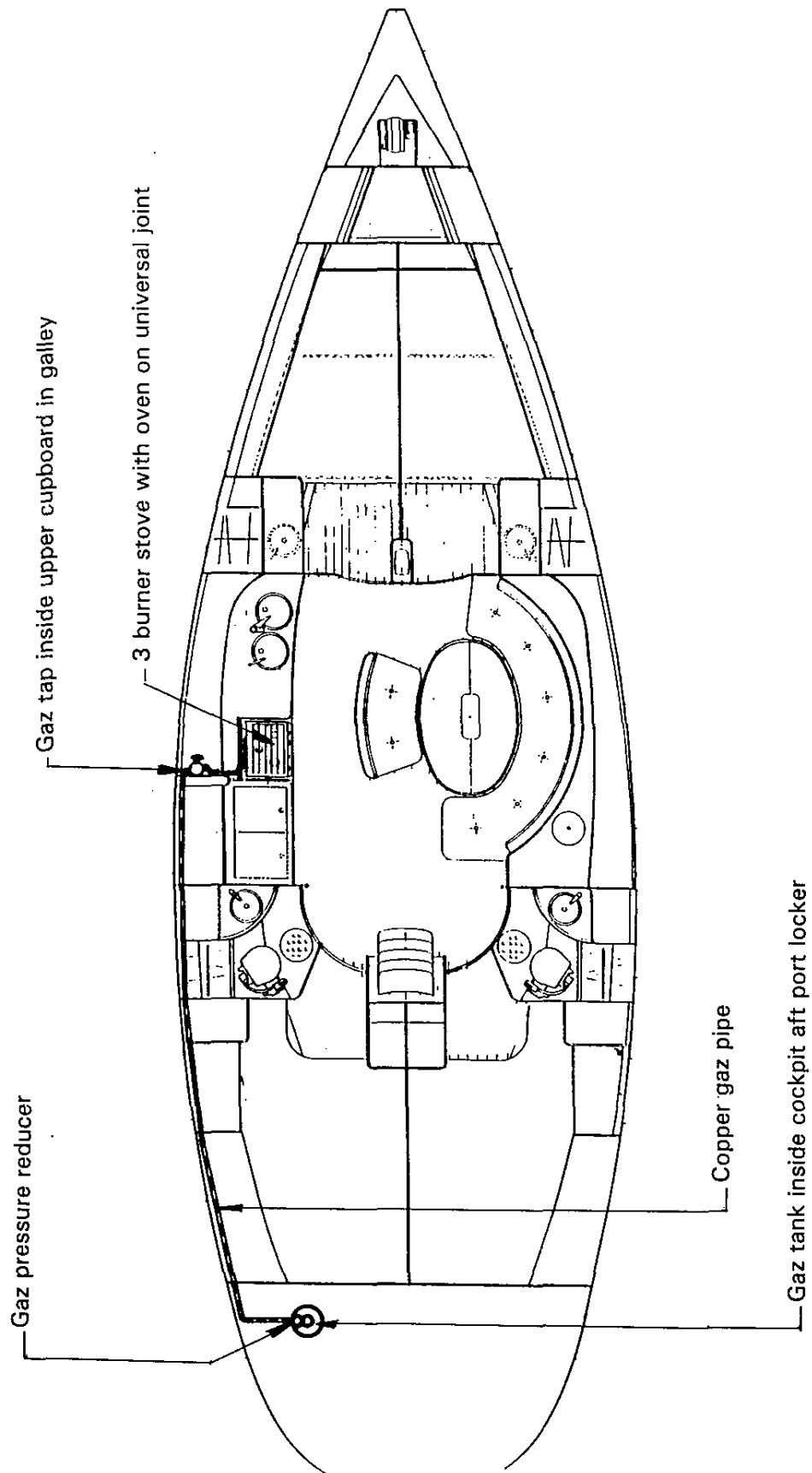
VERSIONS : FOC - AOC
FCC 1B. - AOC



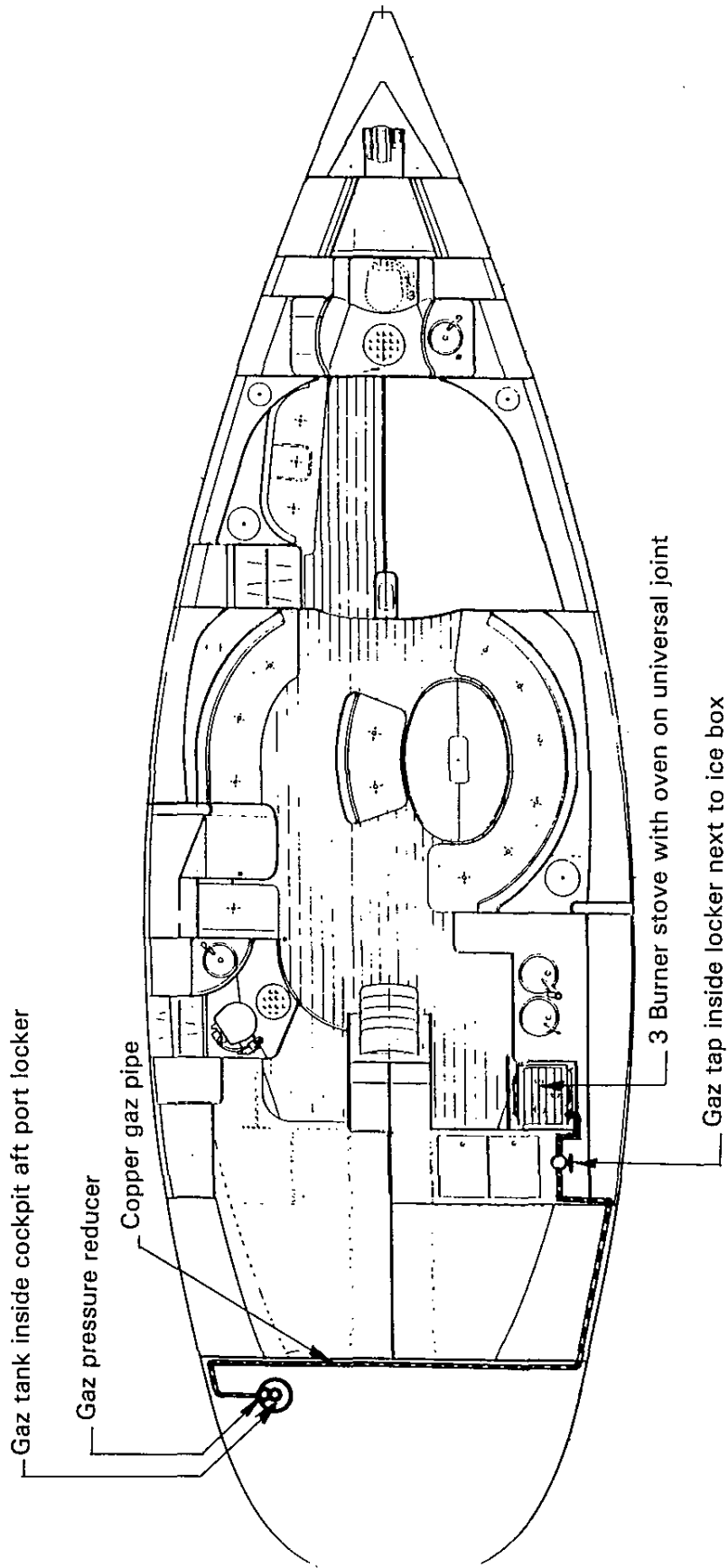
VERSION : ACC 1B.



VERSION : ACC 2B.

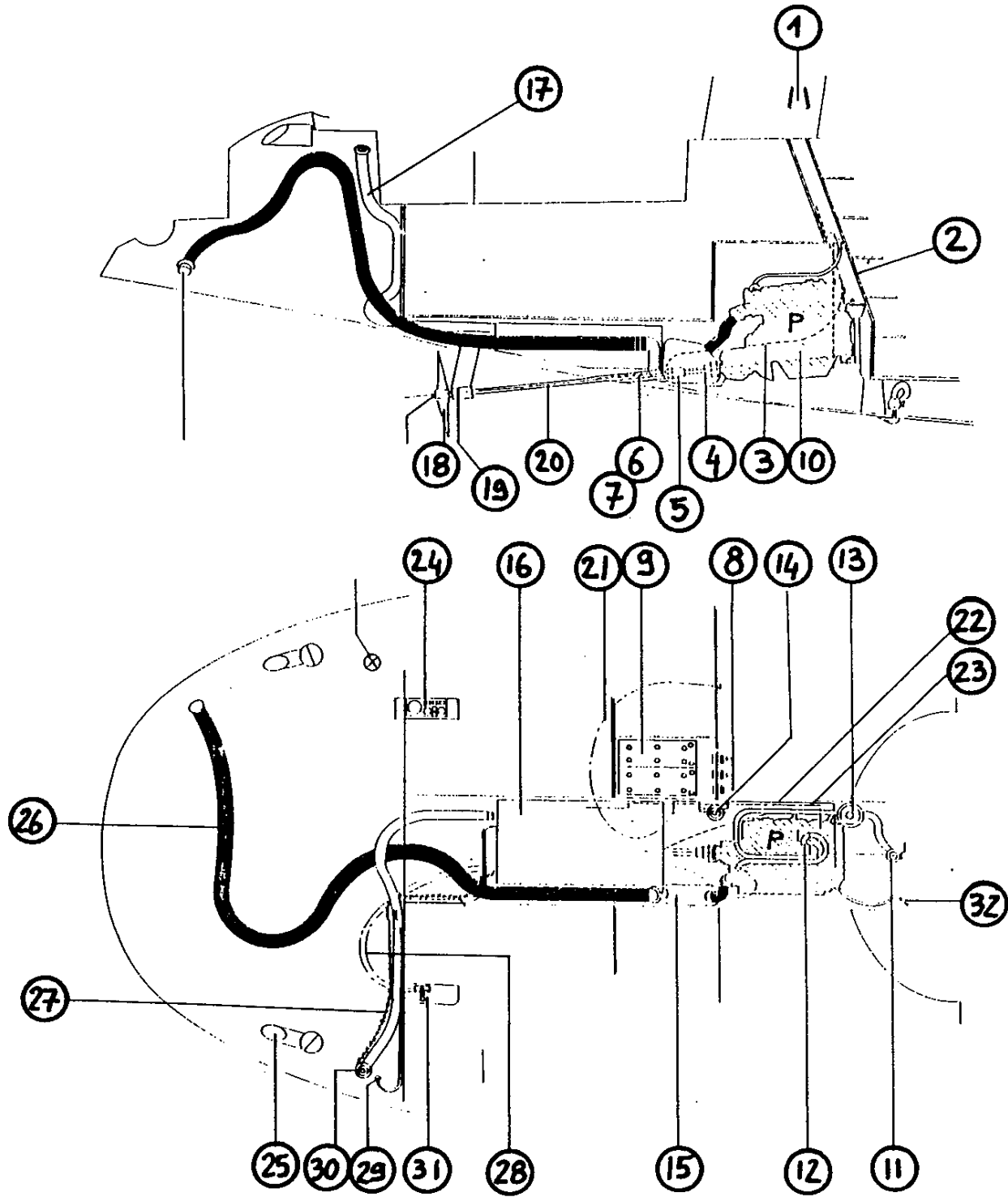


VERSION : AOC

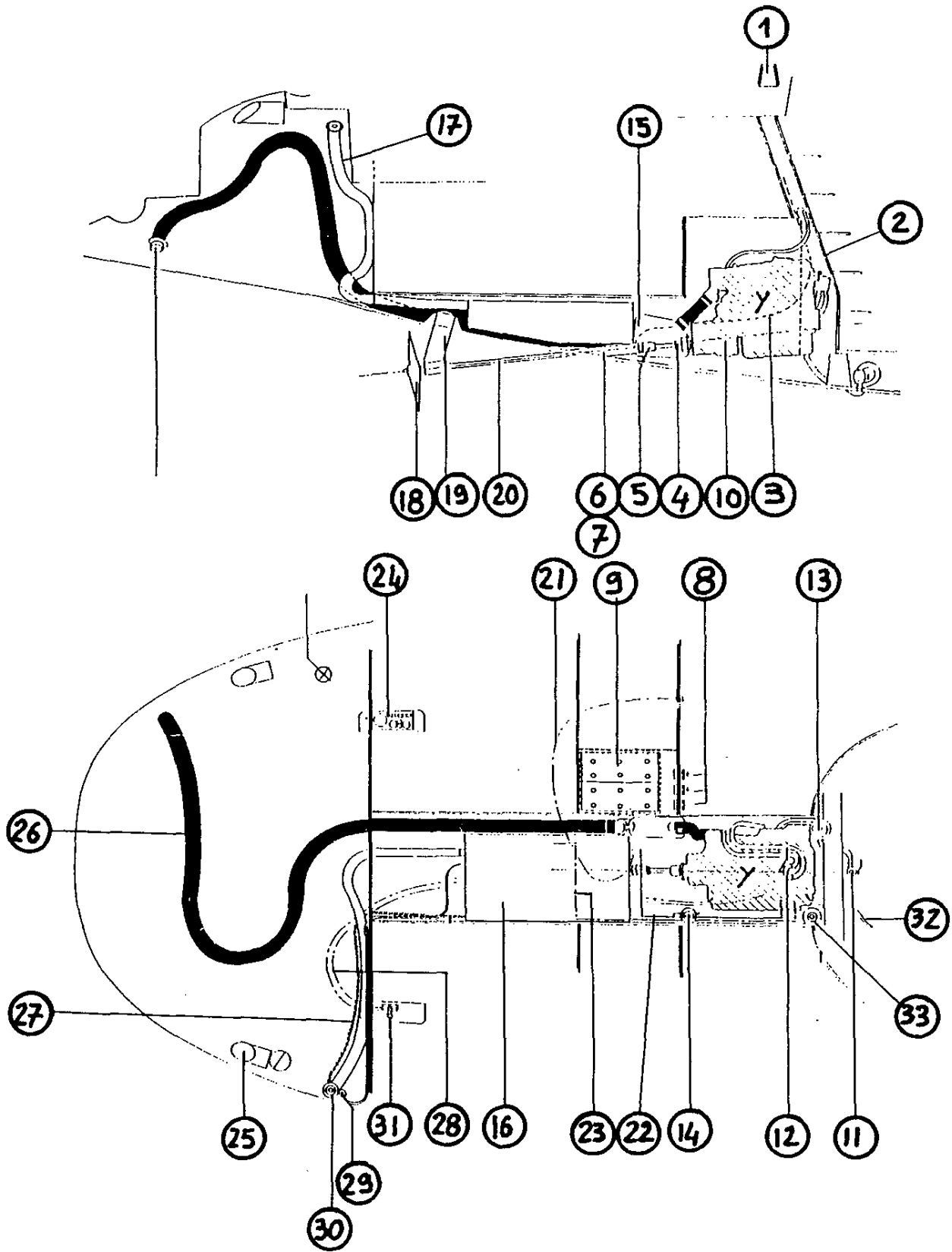


<u>MARK</u>	<u>ITEM</u>
1	Hot air engine vent
2	Extinguisher hole
3	Stern tube air bleeder
4	Coupling plate
5	Stuffing box
6	Stern tube laying
7	Stern tube
8	Battery breaker
9	Battery 124 AH
10	Engine unit
11	Water intake valve engine
12	Engine anti-siphon
13	Salt water filter
14	Fuel filter
15	Exhaust bubbling chamber
16	Fuel tank
17	Filling fuel hose
18	Propellor
19	P. Bracket
20	Propellor shaft D 30
21	Emergency fuel cock
22	Fuel supply
23	Fuel surplus
24	Electric panel
25	Cool air vent
26	Exhaust pipe
27	Grounding tress tank : engine
28	Engine control cable
29	Fuel tank vent pipe
30	Fuel deck filler
31	Engine control lever
32	Water heater/engine hose
33	Expansion bottle

PERKINS VERSION



YANMAR VERSION

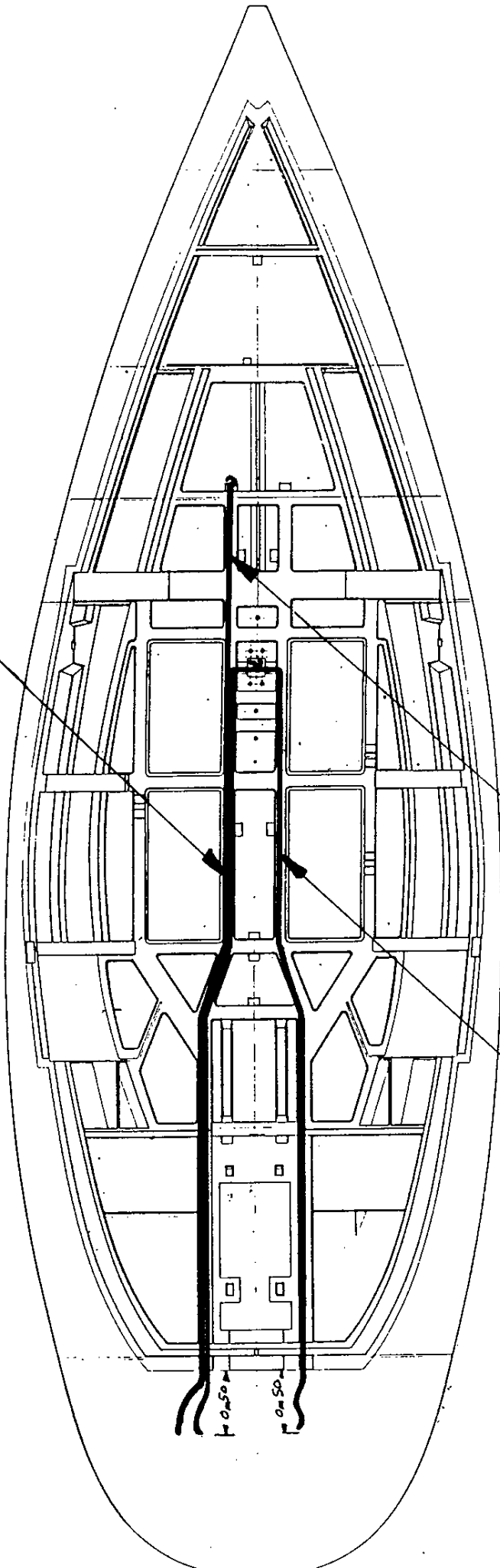


OPTION PIPES THRU LINER MOULD

- FIRST 45 F 5 -

Messengers taped in the stringer

Well → aft. hull + 0,50 m
(for elec. bilge pump draining pipe)



Messengers taped in the stringer

Well → aft. liner mould + 0,50 m
(for elec. pump sulring up pipe)

Messengers taped in the stringer to starboard

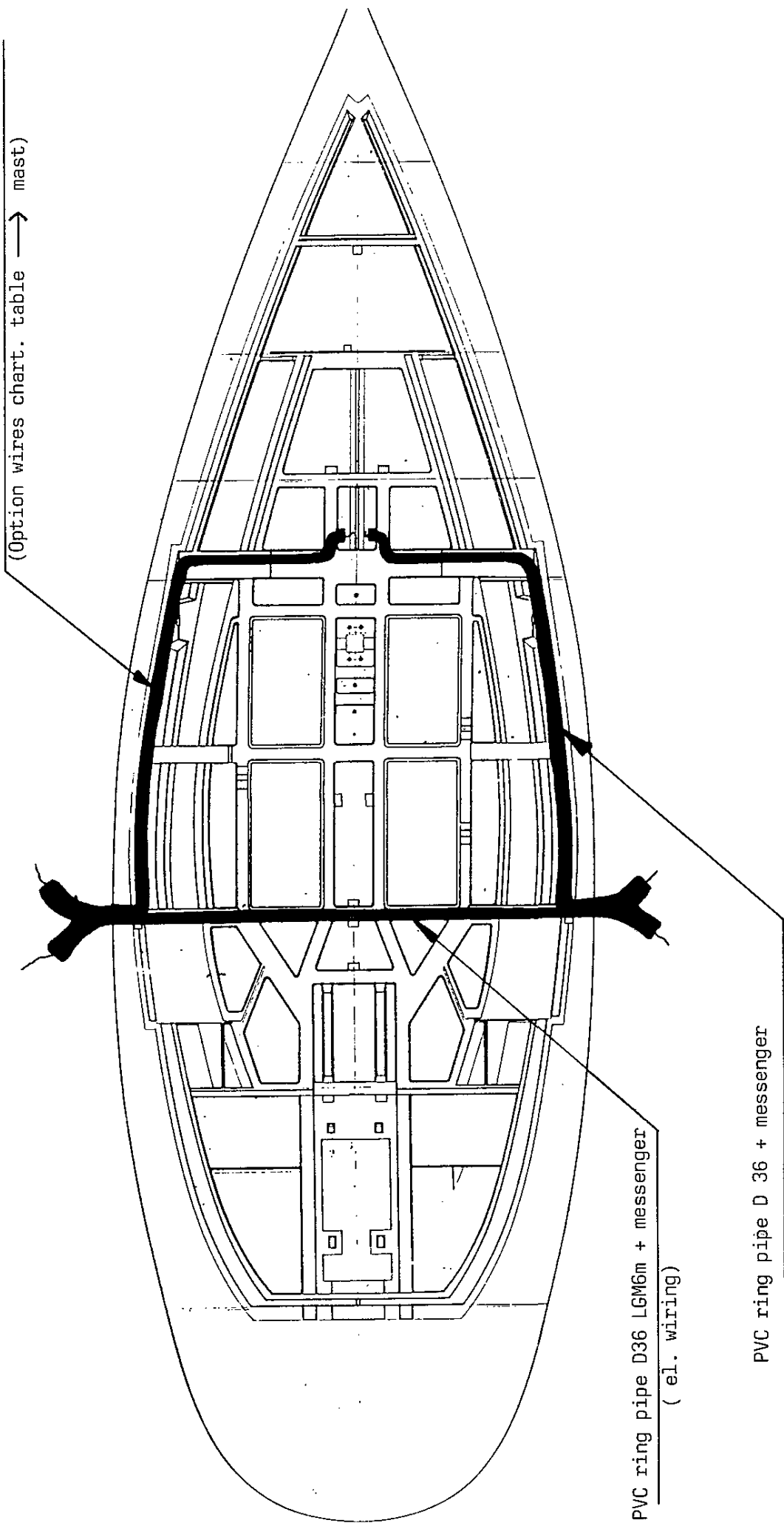
FWD well → aft. liner mould + 0,50 m

OPTION PIPES THRU HULL LINER MOULD

- FIRST 45 F 5 -

PVC ring pipe D36 + messenger

(Option wires chart. table → mast)



PVC ring pipe D36 LGM6m + messenger
(el. wiring)

PVC ring pipe D 36 + messenger

(option wires chart. table → mast)